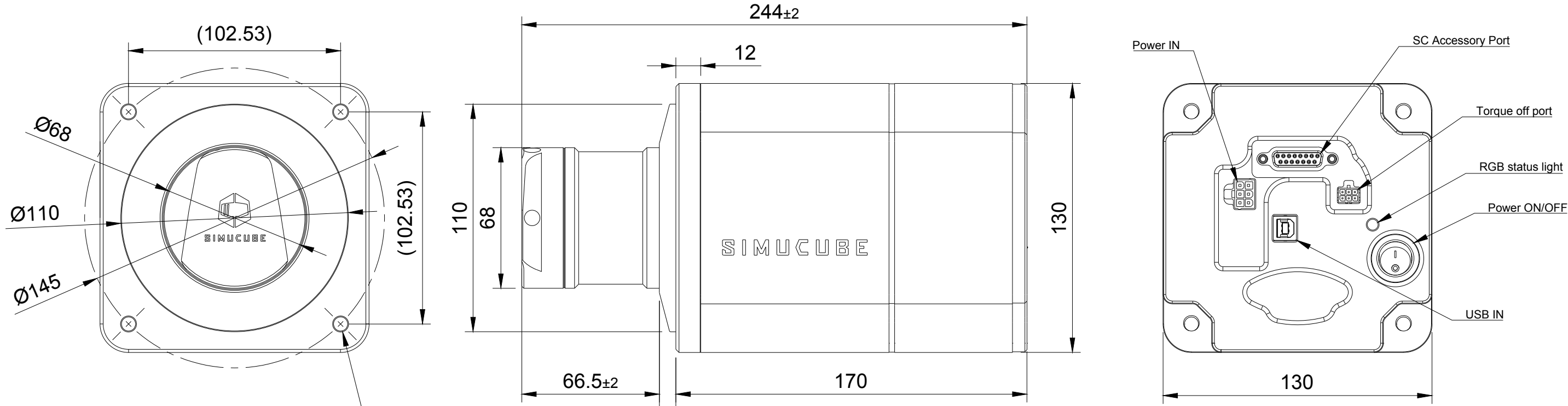
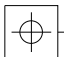


SIMUCUBE 2 Sport



$\text{Ø} 145 \text{ mm PCD } 4 \times \text{ M8} \times 1.25 \text{ thread}$

 Use thread lock for secure mounting

