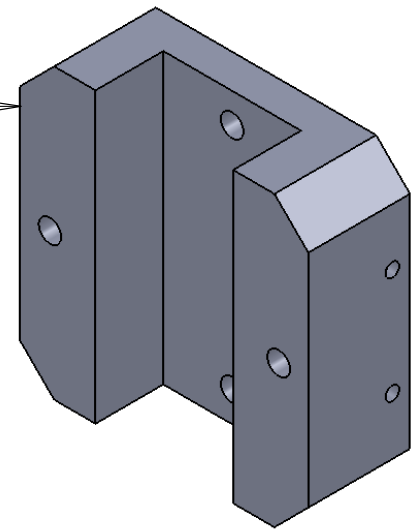
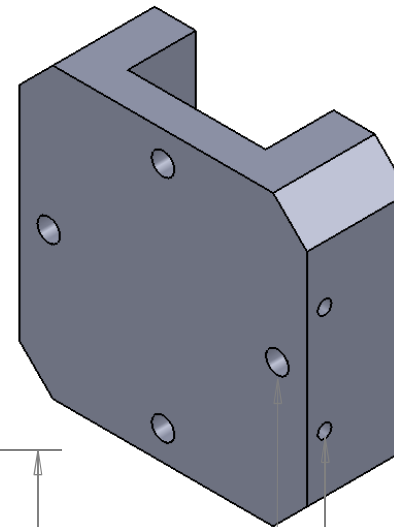


9100011



2X ϕ .201 ∇ .650
1/4-20 UNC ∇ .500

4X ϕ .332 THRU ALL

Title Knuckle Bracket Assy

DWG # 9300010

Material 6061-T6 Aluminum Block

Size 4.25" X 1.5" Block

Scale 1:2

DRAWN NAME MRB DATE 2008.11.21

simcraftTM

UNLESS OTHERWISE SPECIFIED
DIMENSIONS ARE IN INCHES

Tolerances on:		
2 Decimals	3Decimals	Angles
0.010	0.005	0.5deg

Surface finish 63/ or better
remove burrs and break sharp edges

**1705 Enterprise Way
Suite 102
Marietta, GA 30067**

877.SimCraft (746.2723)
www.SimCraft.com

Confidential and Proprietary NOT TO BE REPRODUCED OR USED IN ANY MANNER OTHER THAN WITH EXPRESSED WRITTEN PERMISSION