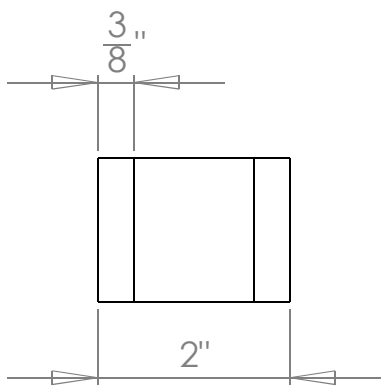
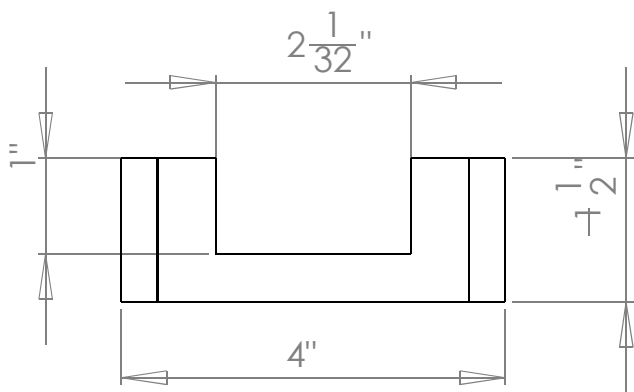
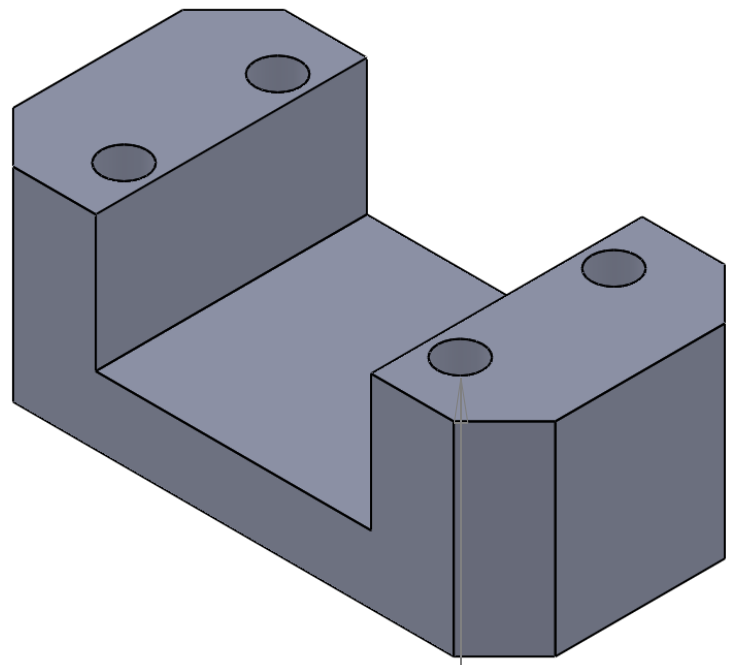
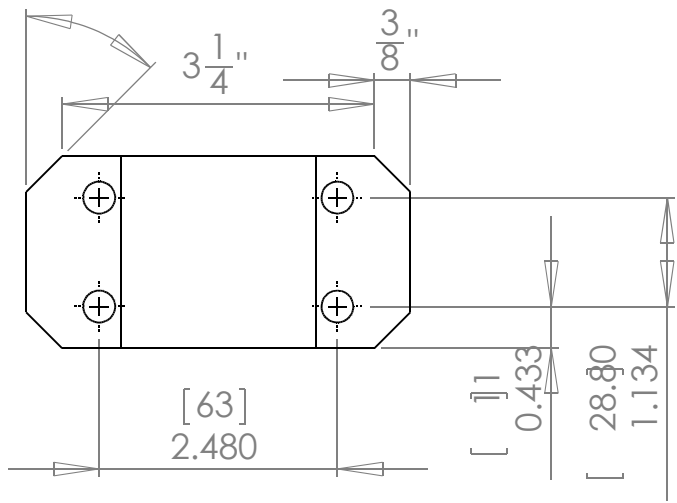


45°



4 x ϕ 0.332 THRU ALL

Title Frame Bracket

DWG # 9100041

Material 6061-T6 Aluminum Block
Size 4" X 2" X 1.5" Block
Scale 1:2

DRAWN NAME MRB DATE 2009.02.09

simcraftTM

UNLESS OTHERWISE SPECIFIED
DIMENSIONS ARE IN INCHES
Tolerances on:
2 Decimals 0.010 3Decimals 0.005 Angles 0.5deg
Surface finish 63 or better
remove burrs and break sharp edges

**1705 Enterprise Way
Suite 102
Marietta, GA 30067**

877.SimCraft (746.2723)
SimCraft.com