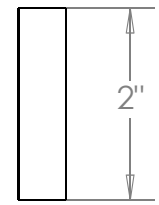
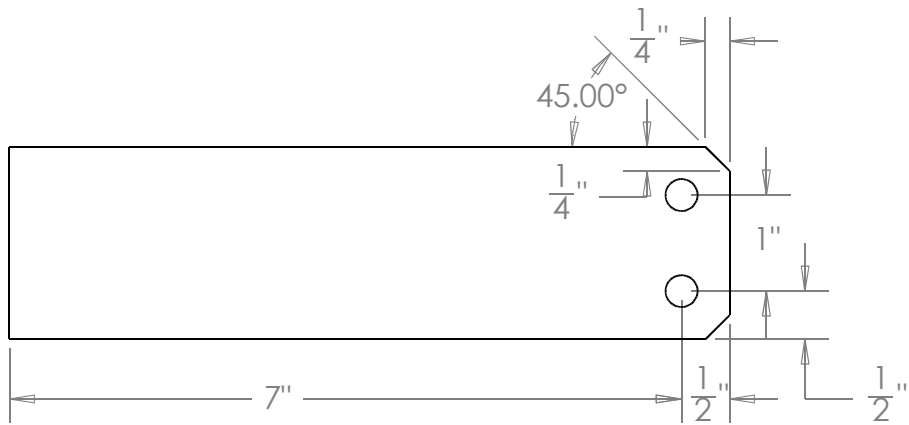
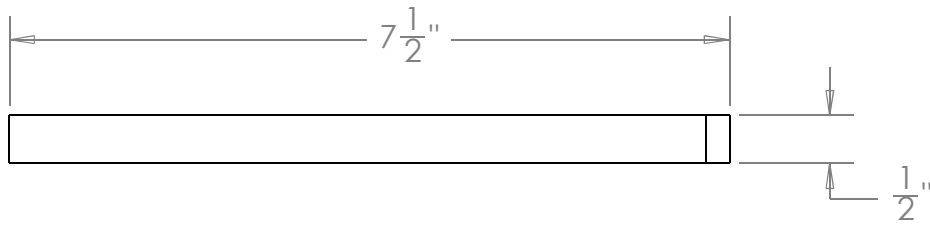
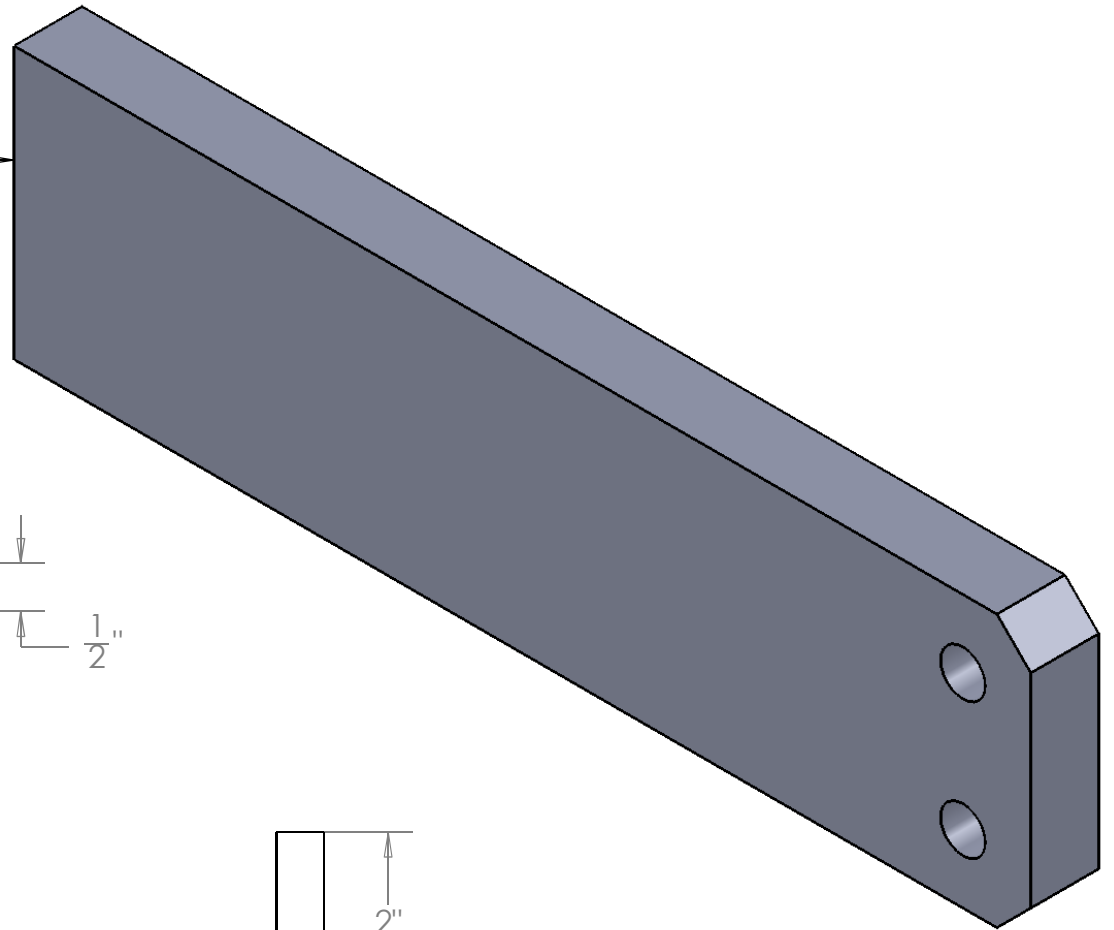


Weld to 9100021 Bracket Mount
at Assembly



Title Roll Actuator Bar

DWG # 9100022

Material 6061-T6 Aluminum Plate
Size 7.5" X 2" X 0.5" Thick
Scale 1:2

DRAWN NAME: MRB DATE: 2008.11.17

simcraftTM

UNLESS OTHERWISE SPECIFIED
DIMENSIONS ARE IN INCHES
Tolerances on:
2 Decimals 0.010 3Decimals 0.005 Angles 0.5deg
Surface finish 63/ or better
remove burrs and break sharp edges

**1705 Enterprise Way
Suite 102
Marietta, GA 30067**

877.SimCraft (746.2723)
SimCraft.com