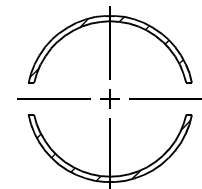
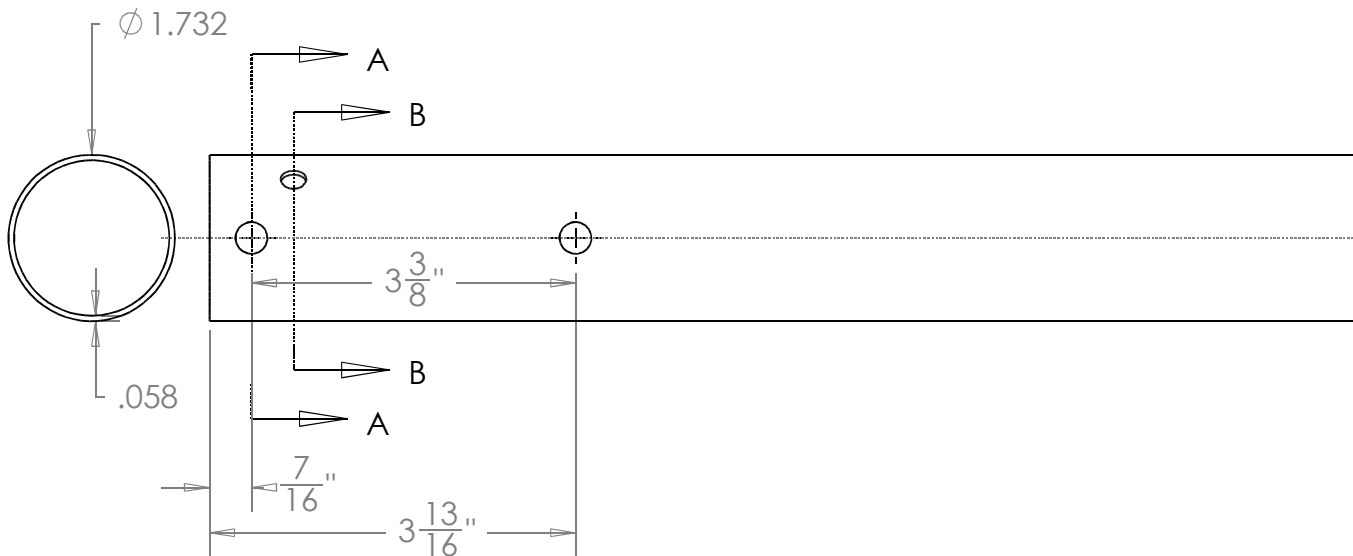
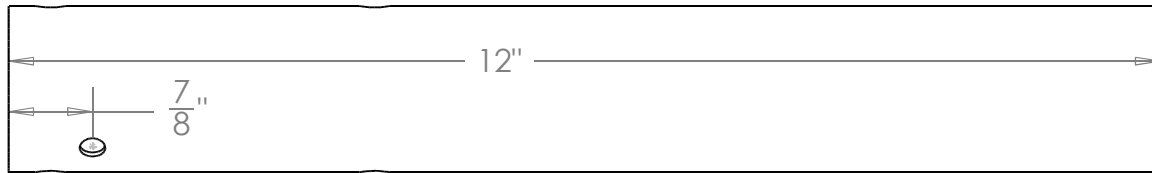
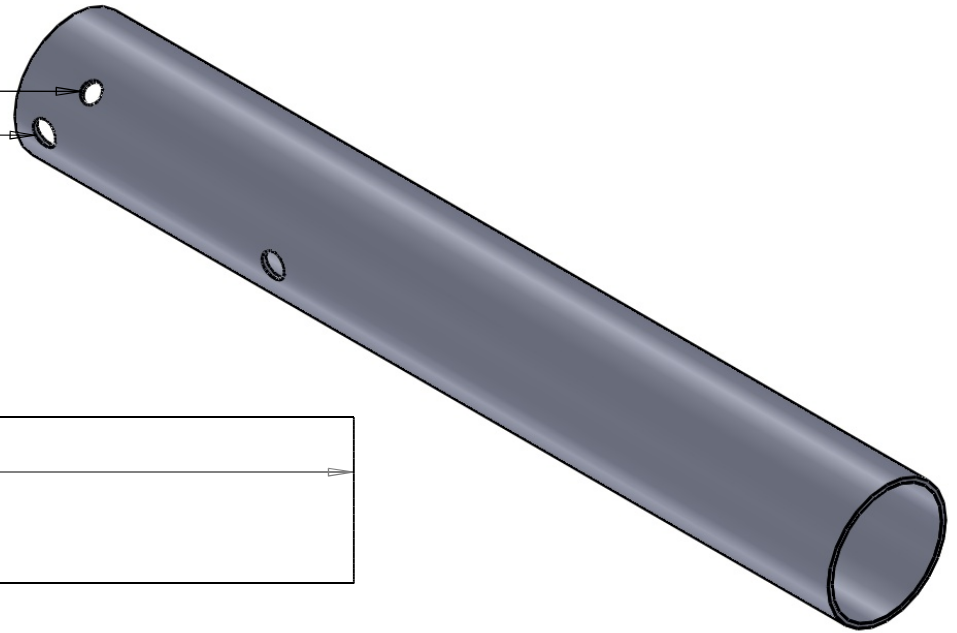
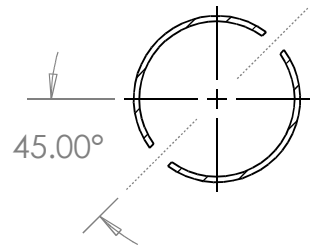


ϕ .266 THRU ALL
 2X ϕ .332 THRU ALL



SECTION A-A



SECTION B-B

Title Plug Tube

DWG # 9100013

Material 2024-T3 Aluminum Tube
Size 1.732"OD 0.058"Wall
 Scale 1:2

DRAWN NAME DATE
 MRB 2008.11.17

simcraftTM

UNLESS OTHERWISE SPECIFIED
 DIMENSIONS ARE IN INCHES
 Tolerances on:
 2 Decimals 3Decimals Angles
 0.010 0.005 0.5deg
 Surface finish 63/ or better
 remove burrs and break sharp edges

1705 Enterprise Way
Suite 102
Marietta, GA 30067

877.SimCraft (746.2723)
 www.SimCraft.com

