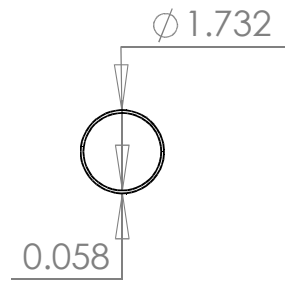
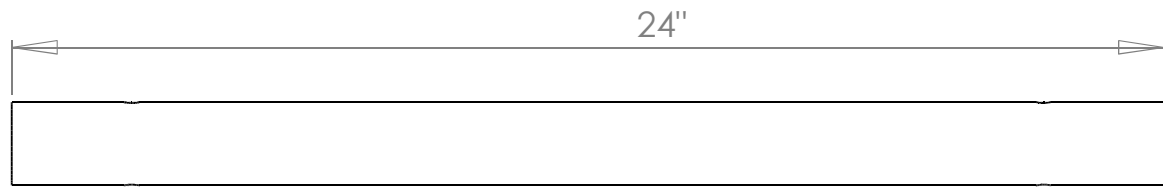
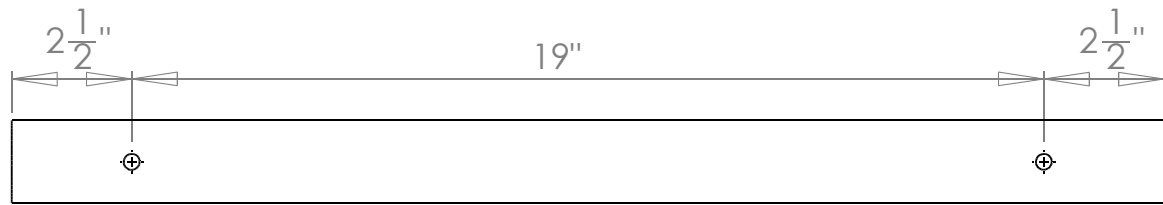
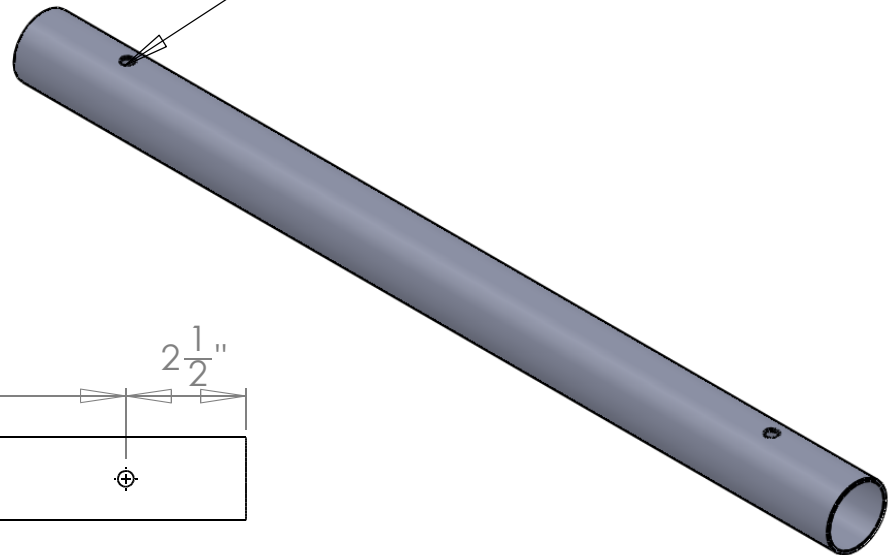


2X  $\phi$  .332 THRU ALL



**Title** Base Side Insert

**DWG #** 9500925

**Material** 2024-T3 Aluminum Tube  
**Size** 1.732"OD 0.058"Wall  
Scale 1:4

**DRAWN** NAME MRB DATE 2009.02.09

**simcraft**<sup>TM</sup>

UNLESS OTHERWISE SPECIFIED  
DIMENSIONS ARE IN INCHES  
Tolerances on:  
2 Decimals 3Decimals Angles  
0.010 0.005 0.5deg  
Surface finish 63 or better  
remove burrs and break sharp edges

**1705 Enterprise Way  
Suite 102  
Marietta, GA 30067**

877.SimCraft (746.2723)  
[www.SimCraft.com](http://www.SimCraft.com)

