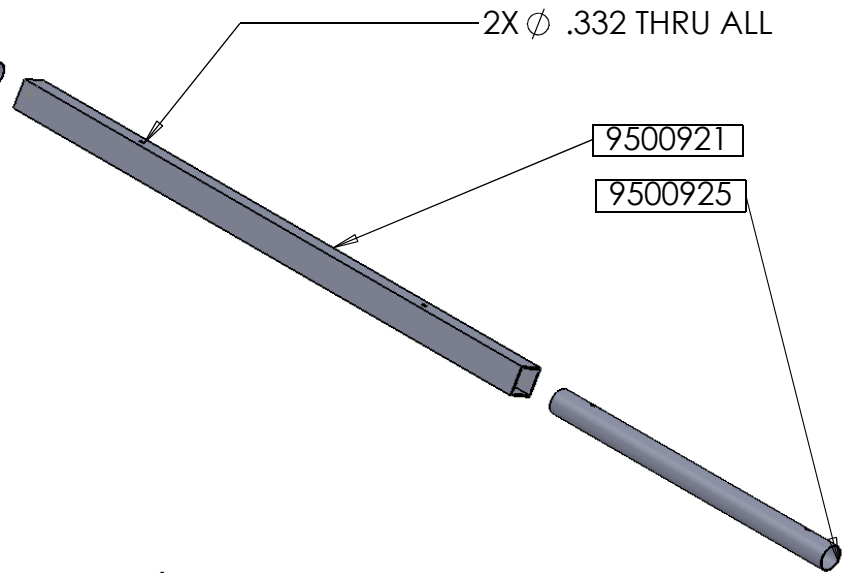
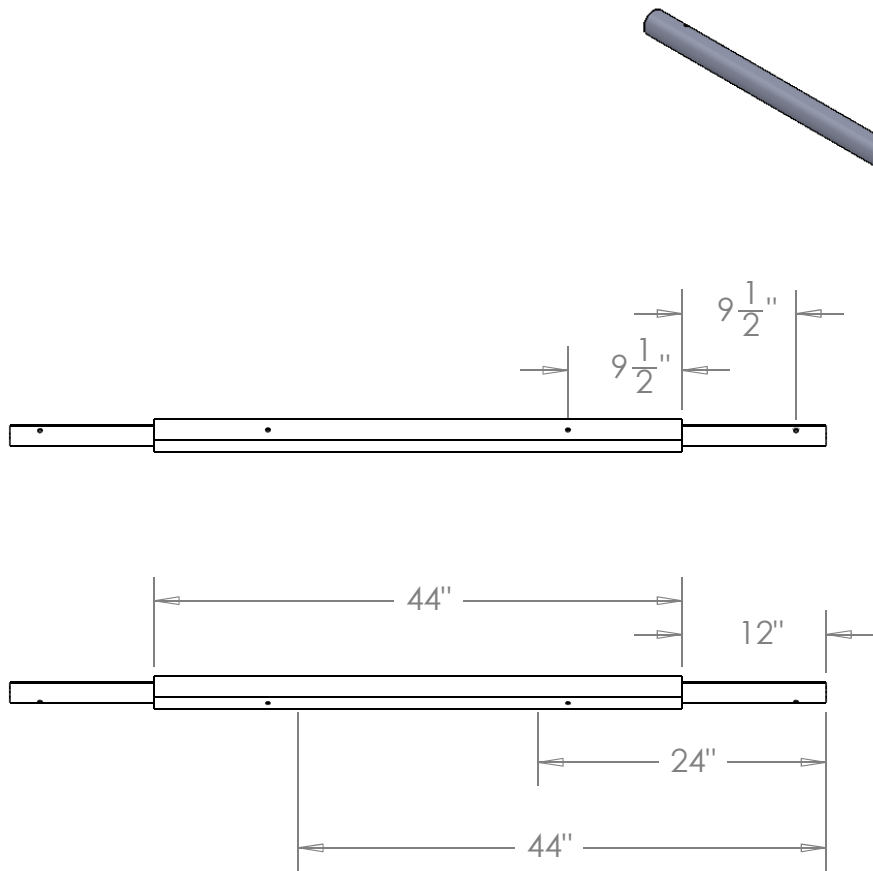


REVISIONS			
REV.	DESCRIPTION	Made By	DATE
A	Updated length dimensions	SPM	2010.01.15



Title Base Side Assy

DWG # 9500920

Material Mainly 6061-T6 Aluminum

Size Varies

Scale 1:16

DRAWN NAME DATE
MRB 2009.02.09

simcraftTM

UNLESS OTHERWISE SPECIFIED
DIMENSIONS ARE IN INCHES
Tolerances on:
2 Decimals 3Decimals Angles
0.010 0.005 0.5deg
Surface finish 63/ or better
remove burrs and break sharp edges

**1705 Enterprise Way
Suite 102
Marietta, GA 30067**

877.SimCraft (746.2723)
SimCraft.com



Confidential and Proprietary NOT TO BE REPRODUCED OR USED IN ANY MANNER OTHER THAN WITH EXPRESSED WRITTEN PERMISSION