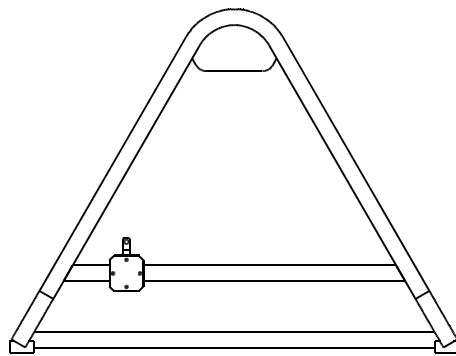
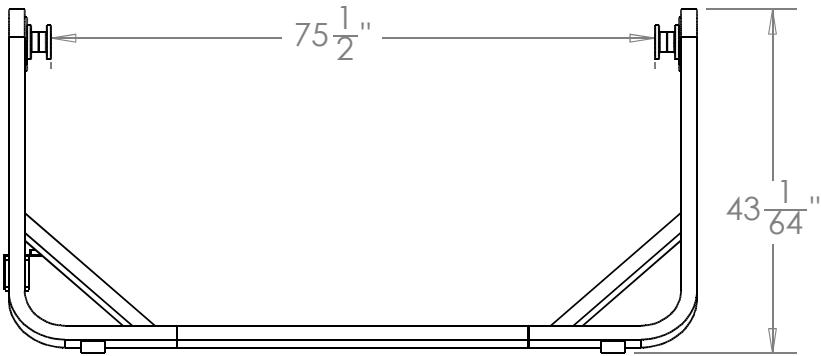
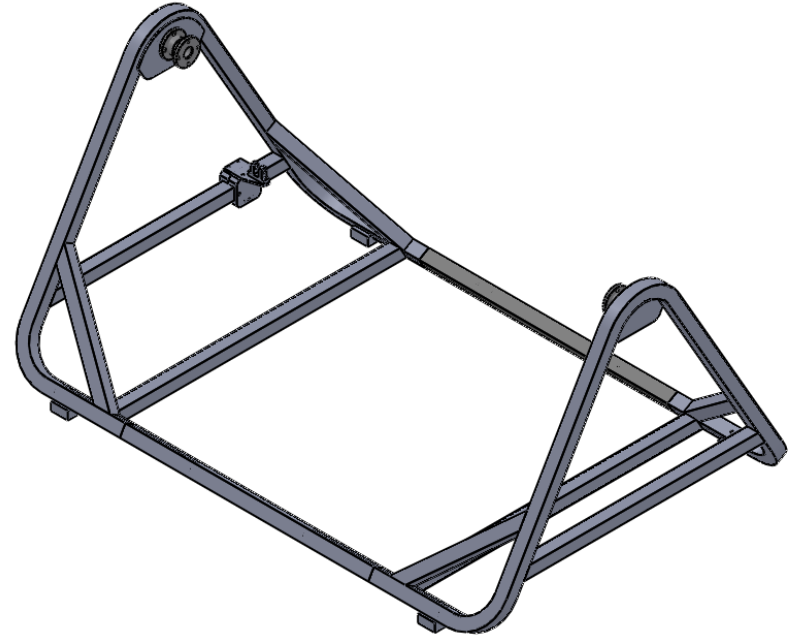
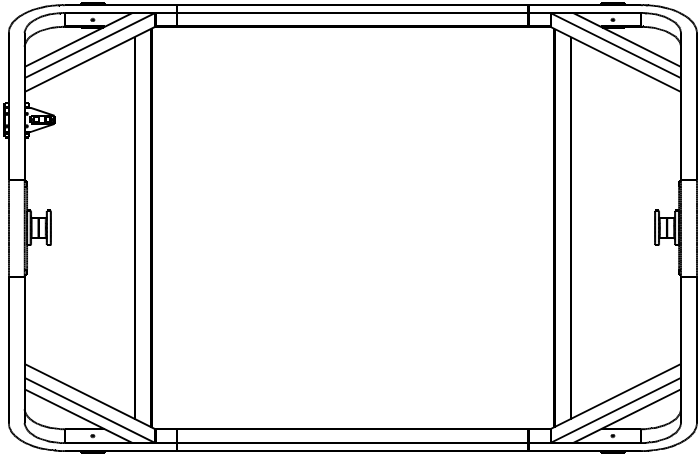


REVISIONS			
REV.	DESCRIPTION	Made By	DATE
A	Updated length and height dimensions	SPM	2010.01.15



Title Base Stand Frame ASSY

DWG # 9500900

Material Mainly 6061-T6 Aluminum

Size Varies

Scale 1:24

DRAWN NAME MRB DATE 2009.02.09

simcraftTM

UNLESS OTHERWISE SPECIFIED
DIMENSIONS ARE IN INCHES

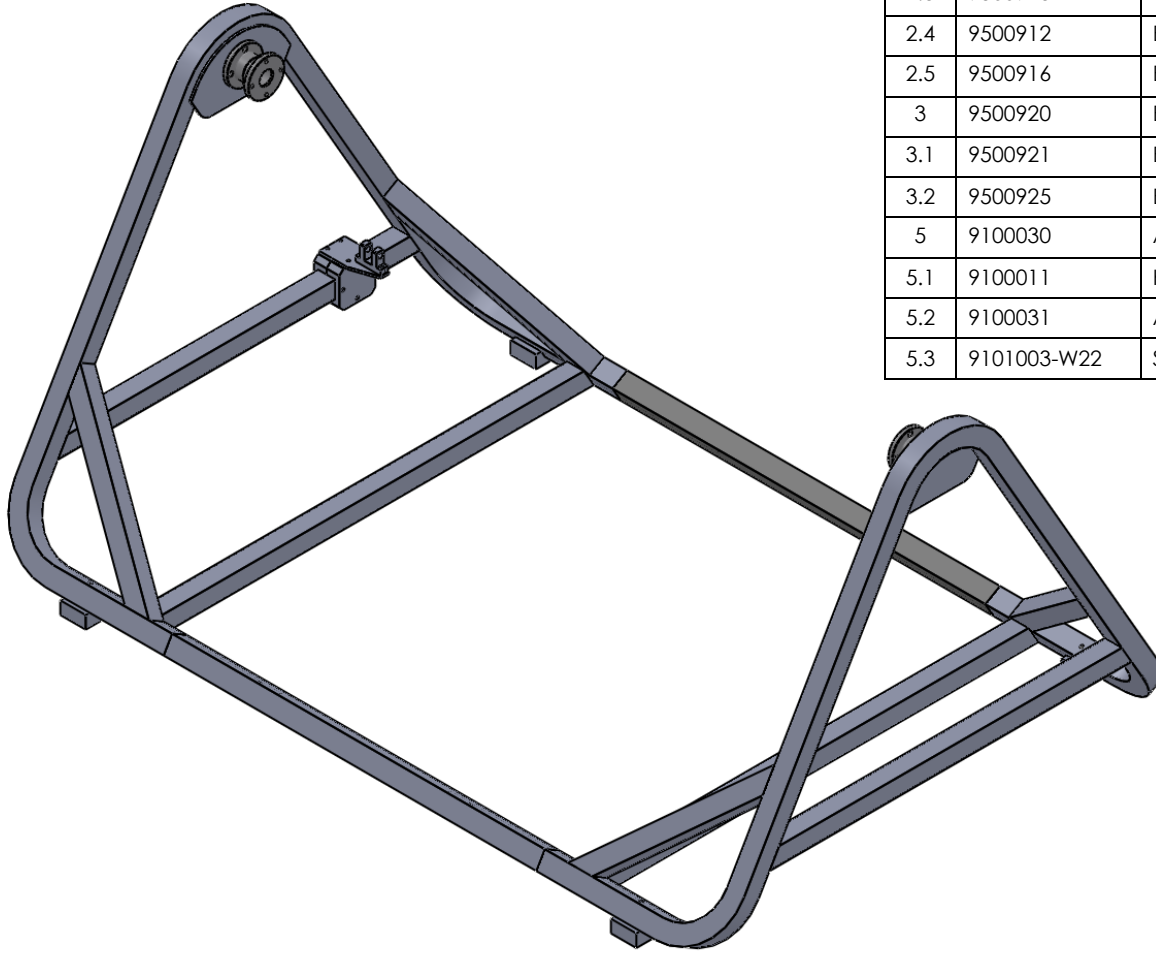
Tolerances on:		
2 Decimals	3Decimals	Angles
0.010	0.005	0.5deg

Surface finish 63/ or better
remove burrs and break sharp edges

**1705 Enterprise Way
Suite 102
Marietta, GA 30067**

877.SimCraft (746.2723)
SimCraft.com

Item	PartNo	DESCRIPTION	QTY.	Material	StockSize
1	9500901	Base Stand Foot Block	4	6061-T6 Aluminum	3" X 3" x 1.5" Block
2	9500910	Base End Assy	2	Mainly 6061-T6 Aluminum	Varies
2.1	9500911	Base End Tube	1	6061-T6 Aluminum Tube	2"Square 0.125"Wall
2.2	9500914	Base Knuckle Plate	1	6061-T6 Aluminum Plate	12" X 7" x 0.25"Thick
2.3	9500913	Base End 45 Brace	2	6061-T6 Aluminum Tube	2"Square 0.125"Wall
2.4	9500912	Base End Cross Brace	1	6061-T6 Aluminum Tube	2"Square 0.125"Wall
2.5	9500916	Base End Bottom Brace	1	6061-T6 Aluminum Tube	2"Square 0.125"Wall
3	9500920	Base Side Assy	2	Mainly 6061-T6 Aluminum	Varies
3.1	9500921	Base Side Tube	1	6061-T6 Aluminum Tube	2"Square 0.125"Wall
3.2	9500925	Base Side Insert	2	2024-T3 Aluminum Tube	1.732"OD 0.058"Wall
5	9100030	Actuator Bracket	1	Mainly 6061-T6 Aluminum	Varies
5.1	9100011	Knuckle Bracket	2	6061-T6 Aluminum Block	4.25" X 1.5" Block
5.2	9100031	Actuator Pivot Mount Plate	1	6061-T6 Aluminum Plate	6.25" X 3" X 0.25"Thick
5.3	9101003-W22	SC Precision Mount Base	1		



Title **Base Stand Frame ASSY**

DWG # **9500900**

Material **Mainly 6061-T6 Aluminum**

Size **Varies**

Scale 1:24

DRAWN NAME DATE
MRB 2009.02.09

simcraftTM

UNLESS OTHERWISE SPECIFIED
DIMENSIONS ARE IN INCHES
Tolerances on:
2 Decimals 3Decimals Angles
0.010 0.005 0.5deg
Surface finish 63/ or better
remove burrs and break sharp edges

**1705 Enterprise Way
Suite 102
Marietta, GA 30067**

877.SimCraft (746.2723)
SimCraft.com

Confidential and Proprietary NOT TO BE REPRODUCED OR USED IN ANY MANNER OTHER THAN WITH EXPRESSED WRITTEN PERMISSION