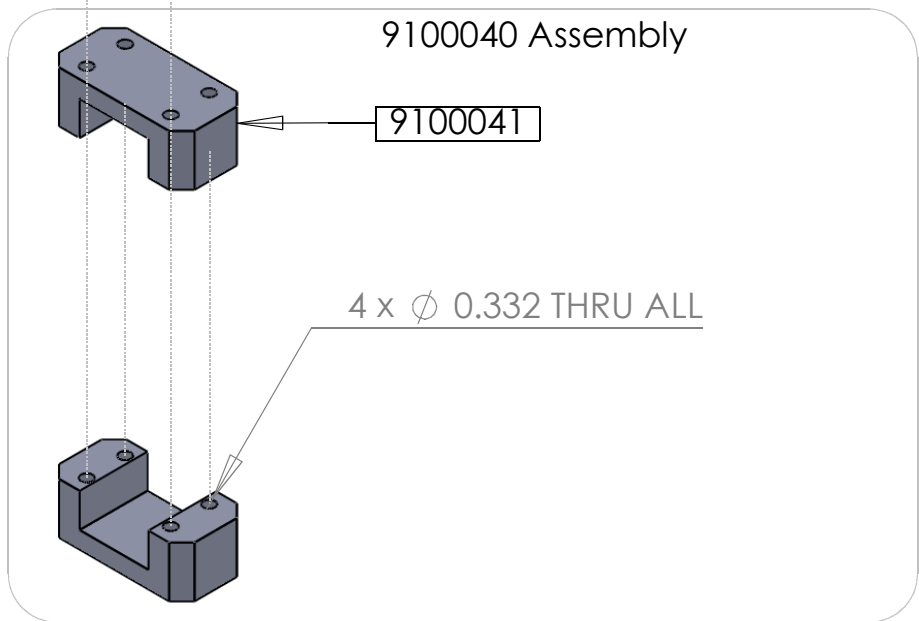
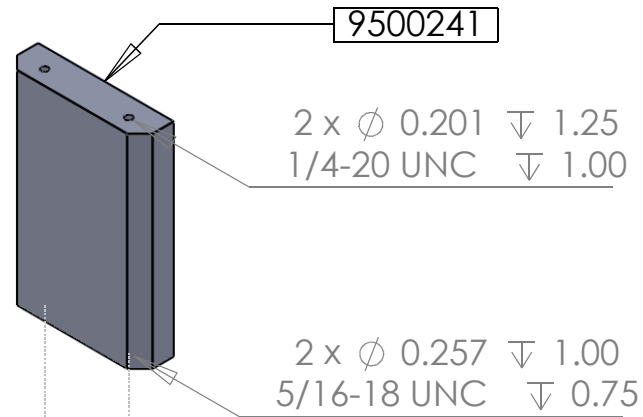


SECTION B-B



**Title** Yaw Pitch Brace Assy

**DWG #** 9500240

**Material** 6061-T6 Aluminum Block

**Size** Varies

Scale 1:4

DRAWN NAME MRB DATE 2009.02.09

**simcraft**<sup>TM</sup>

UNLESS OTHERWISE SPECIFIED  
DIMENSIONS ARE IN INCHES  
Tolerances on:  
2 Decimals 3Decimals Angles  
0.010 0.005 0.5deg  
Surface finish 63 or better  
remove burrs and break sharp edges

**1705 Enterprise Way  
Suite 102  
Marietta, GA 30067**

877.SimCraft (746.2723)  
**SimCraft.com**