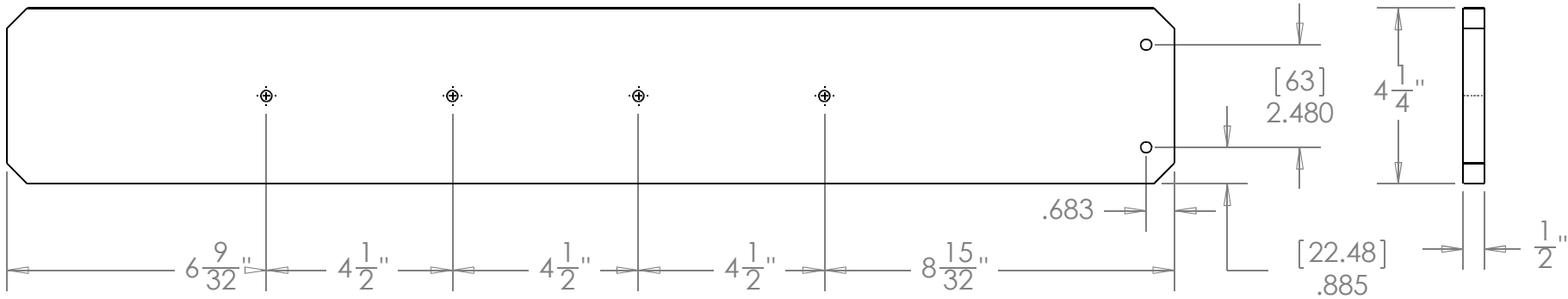
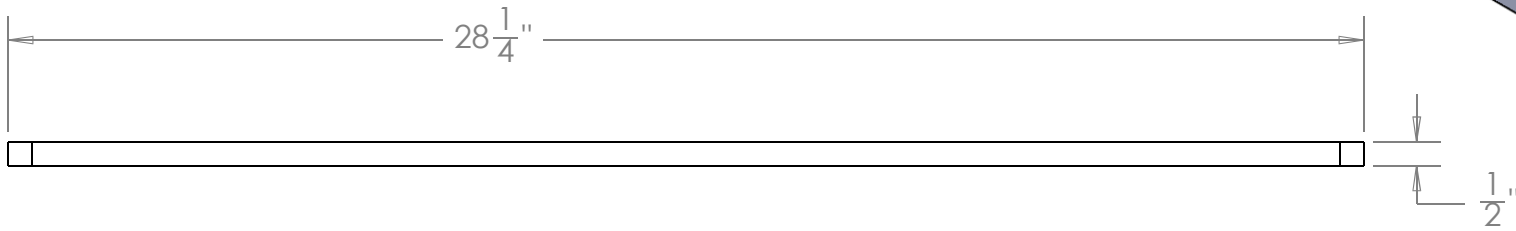
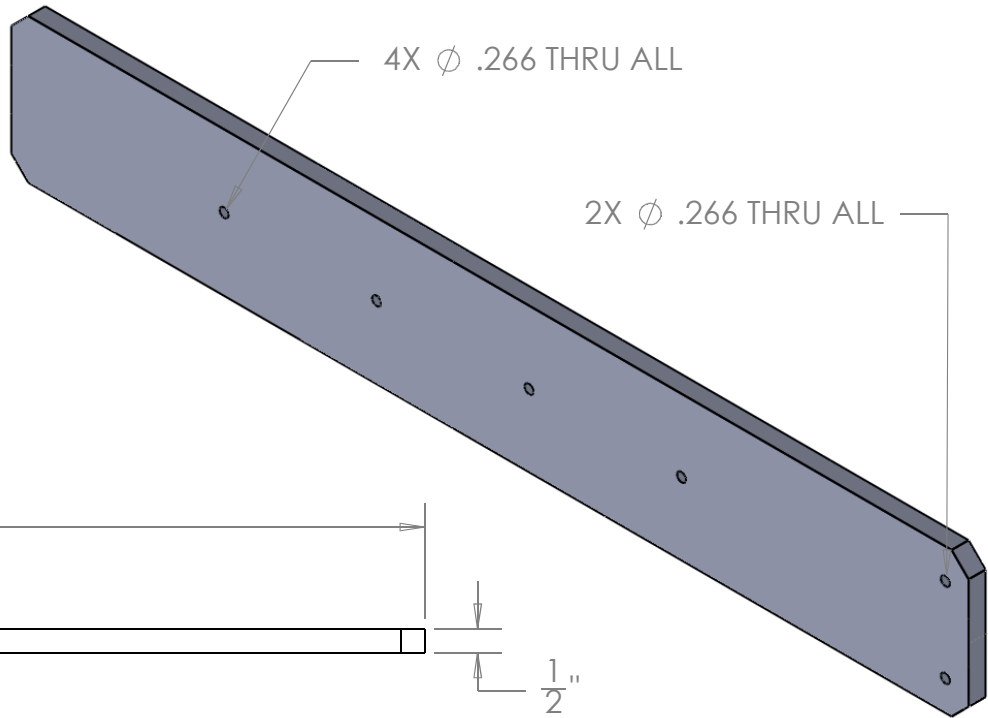


REVISIONS			
REV.	DESCRIPTION	Made By	DATE
A	Updated length dimensions	SPM	2010.01.15



Title Pitch Actuator Bar

DWG # 9500231

Material 6061-T6 Aluminium Plate
Size 4.25" X 26.25" X 0.5" Thick
Scale 1:4

DRAWN NAME: MRB, DATE: 2008.11.17

simcraftTM

UNLESS OTHERWISE SPECIFIED
 DIMENSIONS ARE IN INCHES
 Tolerances on:
 2 Decimals 3Decimals Angles
 0.010 0.005 0.5deg
 Surface finish 63/ or better
 remove burrs and break sharp edges

**1705 Enterprise Way
 Suite 102
 Marietta, GA 30067**

877.SimCraft (746.2723)
 SimCraft.com

Confidential and Proprietary NOT TO BE REPRODUCED OR USED IN ANY MANNER OTHER THAN WITH EXPRESSED WRITTEN PERMISSION