

**Title** Yaw Frame Assy 2DOF

**DWG #** 9500200.2DOF

**Material** Mainly 6061-T6 Aluminum

**Size** Varies

**Scale** 1:12

**DRAWN** NAME MRB DATE 2009.02.09

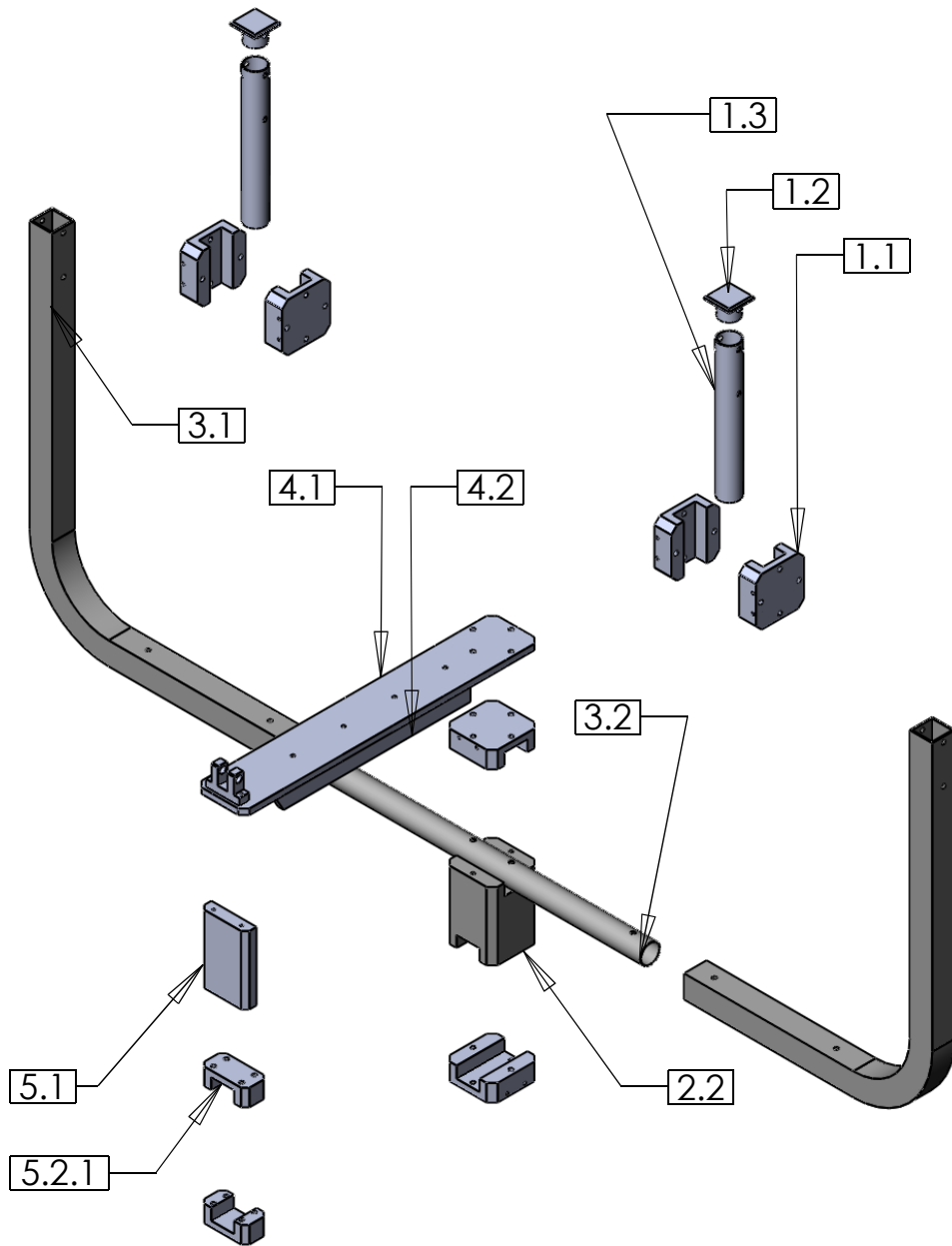
**simcraft**<sup>TM</sup>

UNLESS OTHERWISE SPECIFIED  
DIMENSIONS ARE IN INCHES  
Tolerances on:  
2 Decimals 0.010  
3Decimals 0.005  
Angles 0.5deg  
Surface finish 63 or better  
remove burrs and break sharp edges

**1705 Enterprise Way  
Suite 102  
Marietta, GA 30067**

877.SimCraft (746.2723)  
[www.SimCraft.com](http://www.SimCraft.com)





ITEM NO.	PartNo	DESCRIPTION	#	QTY.	Total
1	9100010	Knuckle Bracket Plug ASSY		2	
1.1	9100011	Knuckle Bracket	2X	2	4
1.2	9100012	Plug Tube Cap	2X	1	2
1.3	9100013	Plug Tube	2X	1	2
2	9500210.2DOF	Yaw Static Brace Assy		1	
2.1	9100011	Knuckle Bracket		2	
2.2	9500211	Yaw Spacer Post		1	
3	9500220	Yaw Frame Tube Assy		1	
3.1	9500221	Yaw Frame Tube		2	
3.2	9500225	Yaw Frame Insert		1	
4	9500230	Yaw Pitch Actuator Mount Assy		1	
4.1	9500231	Pitch Actuator Bar		1	
4.2	9500232	Pitch Actuator Bar Gusset		1	
5	9500240	Yaw Pitch Brace Assy		1	
5.1	9500241	Yaw Pitch Brace		1	
5.2	9100040	Frame Bracket Assy		1	
5.2.1	9100041	Frame Bracket		2	

**Title** Yaw Frame Assy 2DOF

**DWG #** 9500200.2DOF

**Material** Mainly 6061-T6 Aluminum

**Size** Varies  
Scale 1:12

DRAWN NAME MRB DATE 2009.02.09

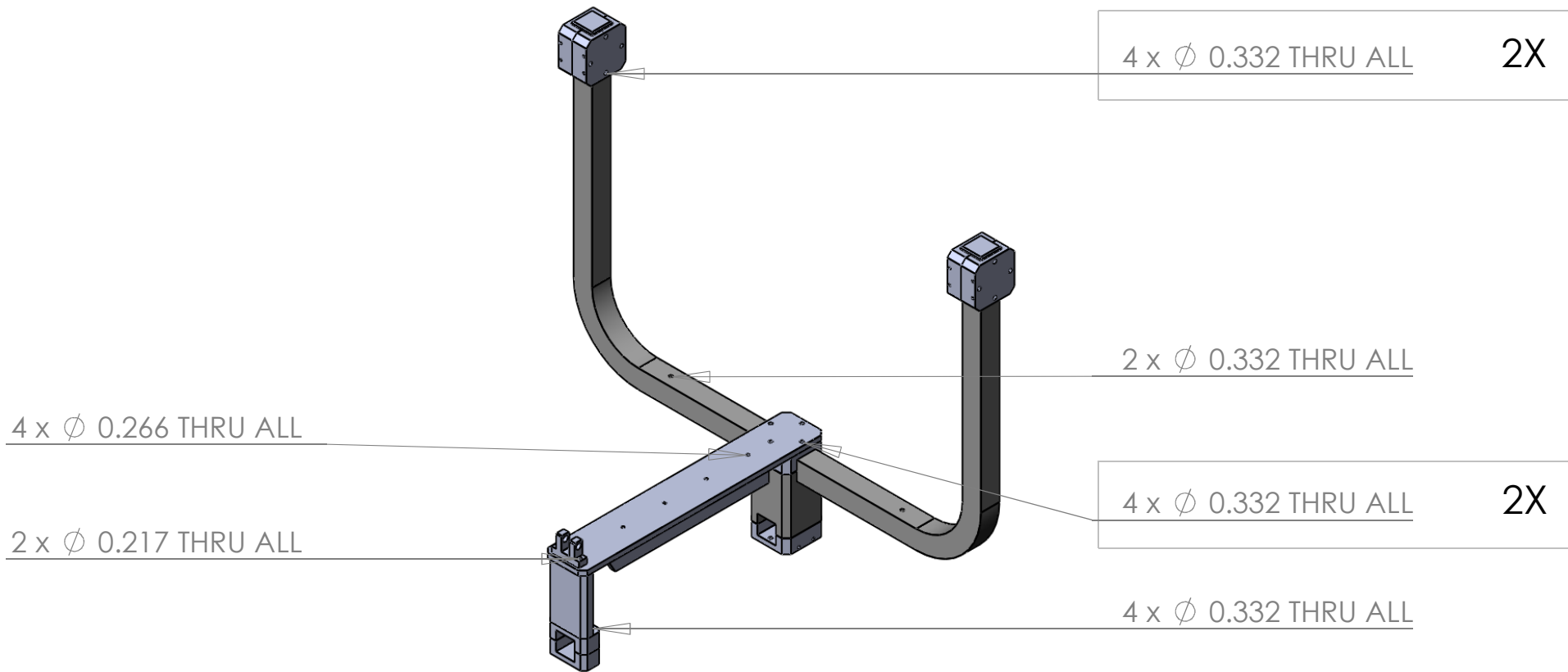
**simcraft**<sup>TM</sup>

UNLESS OTHERWISE SPECIFIED  
DIMENSIONS ARE IN INCHES  
Tolerances on:  
2 Decimals 0.010 3Decimals 0.005 Angles 0.5deg  
Surface finish 63 or better  
remove burrs and break sharp edges

**1705 Enterprise Way  
Suite 102  
Marietta, GA 30067**

877.SimCraft (746.2723)  
[www.SimCraft.com](http://www.SimCraft.com)

**Confidential and Proprietary** NOT TO BE REPRODUCED OR USED IN ANY MANNER OTHER THAN WITH EXPRESSED WRITTEN PERMISSION



**Title** Yaw Frame Assy 2DOF

**DWG #** 9500200.2DOF

**Material** Mainly 6061-T6 Aluminum

**Size** Varies  
Scale 1:12

DRAWN NAME DATE  
MRB 2009.02.09

**simcraft**<sup>TM</sup>

UNLESS OTHERWISE SPECIFIED  
DIMENSIONS ARE IN INCHES

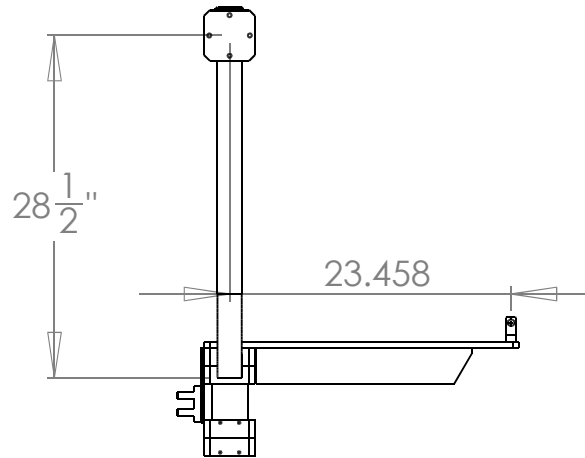
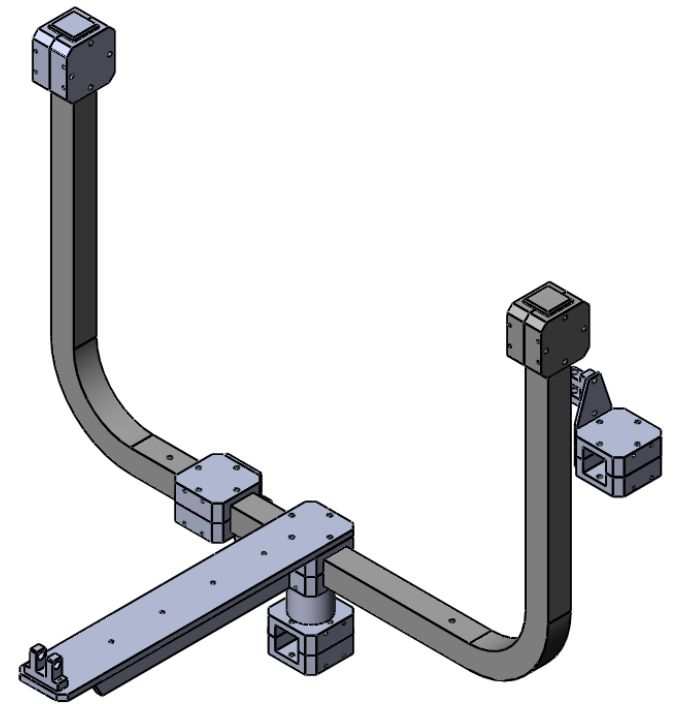
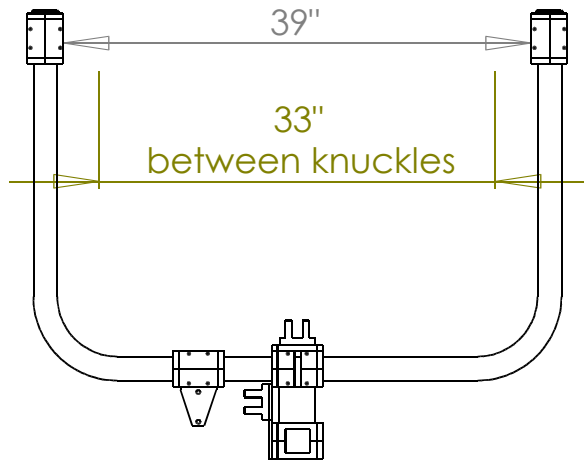
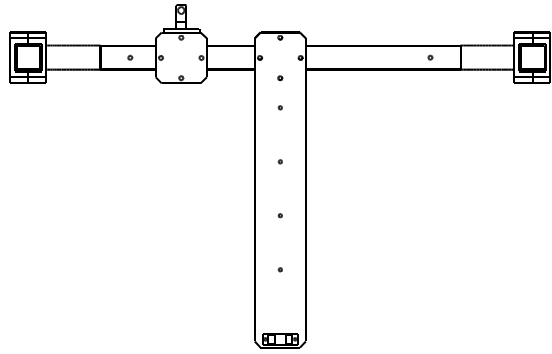
Tolerances on:

2 Decimals	3Decimals	Angles
0.010	0.005	0.5deg

Surface finish 63 or better  
remove burrs and break sharp edges

**1705 Enterprise Way  
Suite 102  
Marietta, GA 30067**

877.SimCraft (746.2723)  
[www.SimCraft.com](http://www.SimCraft.com)



**Title** Yaw Frame Assy 3DOF

**DWG #** 9500200.3DOF

**Material** Mainly 6061-T6 Aluminum

**Size** Varies

**Scale** 1:16

**DRAWN** NAME MRB DATE 2009.02.09

**simcraft**<sup>TM</sup>

UNLESS OTHERWISE SPECIFIED  
DIMENSIONS ARE IN INCHES

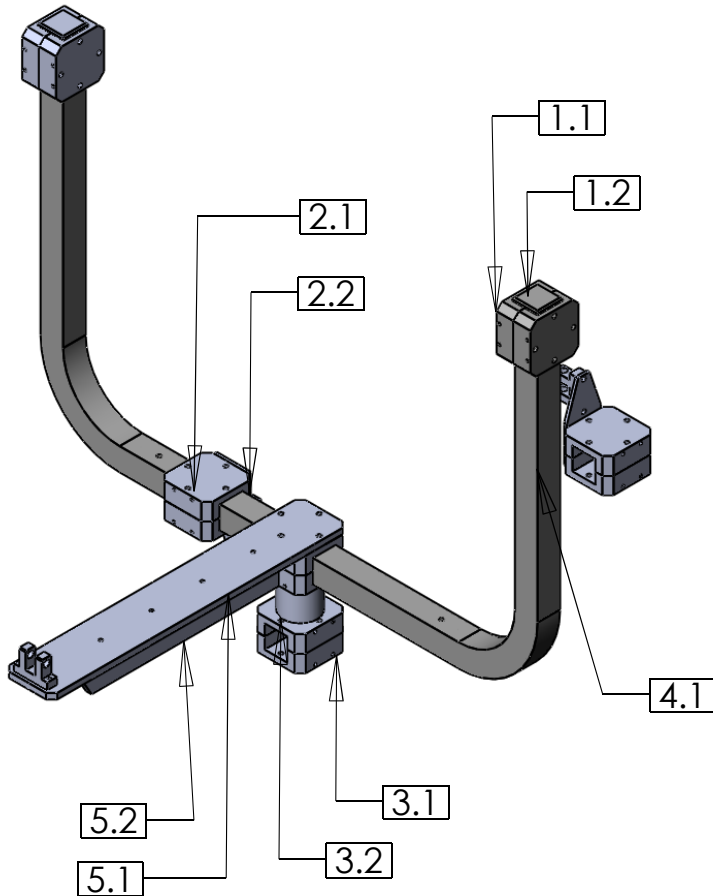
Tolerances on:  
2 Decimals 0.010  
3Decimals 0.005  
Angles 0.5deg

Surface finish 63 or better  
remove burrs and break sharp edges

**1705 Enterprise Way  
Suite 102  
Marietta, GA 30067**

877.SimCraft (746.2723)  
[www.SimCraft.com](http://www.SimCraft.com)





ITEM NO.	PartNo	DESCRIPTION	#	QTY.	Total
1	9100010	Knuckle Bracket Plug ASSY		2	
1.1	9100011	Knuckle Bracket	2X	2	4
1.2	9100012	Plug Tube Cap	2X	1	2
1.3	9100013	Plug Tube	2X	1	2
2	9100030	Actuator Bracket		2	
2.1	9100011	Knuckle Bracket	2X	2	4
2.2	9100031	Actuator Pivot Mount Plate	2X	1	2
3	9500210.3DOF	Yaw Knuckle Bracket Assy		1	
3.1	9100011	Knuckle Bracket		4	
3.2	9500290	Yaw Knuckle Assy		1	
4	9500220	Yaw Frame Tube Assy		1	
4.1	9500221	Yaw Frame Tube		2	
4.2	9500225	Yaw Frame Insert		1	
5	9500230	Yaw Pitch Actuator Mount Assy		1	
5.1	9500231	Pitch Actuator Bar		1	
5.2	9500232	Pitch Actuator Bar Gusset		1	

**Title** Yaw Frame Assy 3DOF

**DWG #** 9500200.3DOF

**Material** Mainly 6061-T6 Aluminum

**Size** Varies  
Scale 1:12

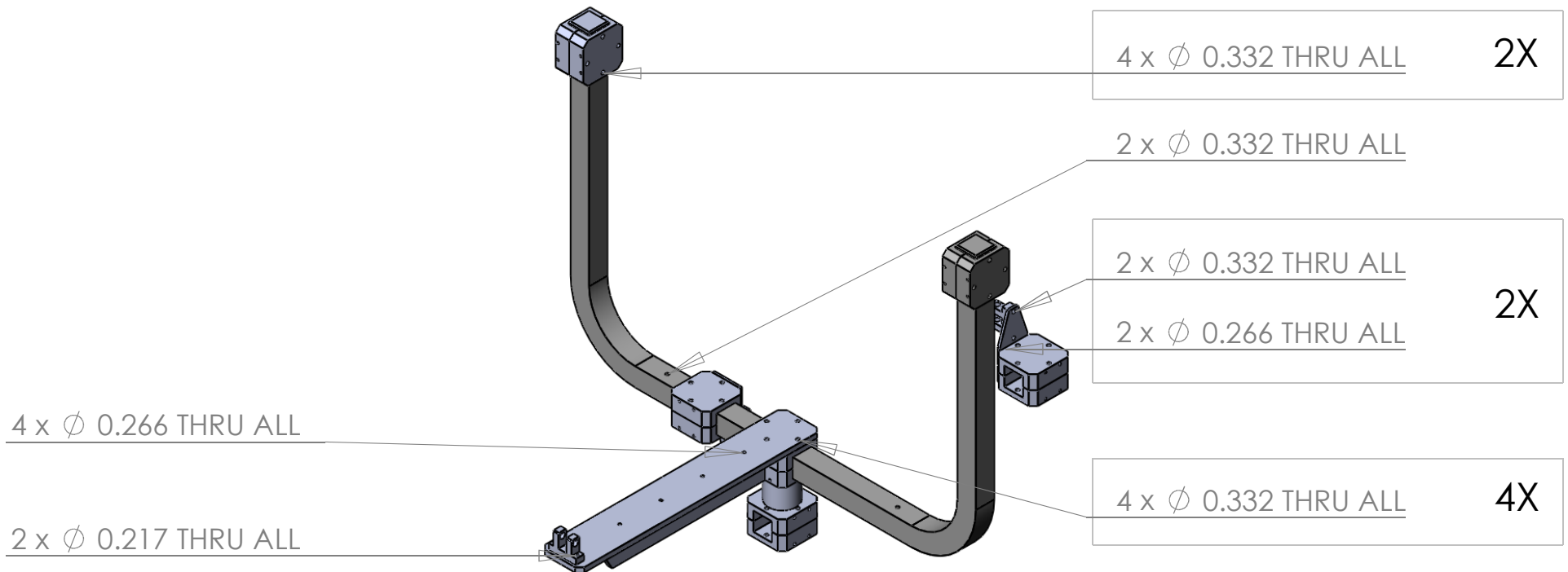
DRAWN NAME MRB DATE 2009.02.09

**simcraft**<sup>TM</sup>

UNLESS OTHERWISE SPECIFIED  
DIMENSIONS ARE IN INCHES  
Tolerances on:  
2 Decimals 3Decimals Angles  
0.010 0.005 0.5deg  
Surface finish 63 or better  
remove burrs and break sharp edges

**1705 Enterprise Way  
Suite 102  
Marietta, GA 30067**

877.SimCraft (746.2723)  
[www.SimCraft.com](http://www.SimCraft.com)



**Title** **Yaw Frame Assy 3DOF**

**DWG #** **9500200.3DOF**

**Material** **Mainly 6061-T6 Aluminum**  
**Size** **Varies**  
Scale 1:12

DRAWN NAME DATE  
MRB 2009.02.09

**simcraft**<sup>TM</sup>

UNLESS OTHERWISE SPECIFIED  
DIMENSIONS ARE IN INCHES  
Tolerances on:  
2 Decimals 3Decimals Angles  
0.010 0.005 0.5deg  
Surface finish 63 or better  
remove burrs and break sharp edges

**1705 Enterprise Way  
Suite 102  
Marietta, GA 30067**

877.SimCraft (746.2723)  
[www.SimCraft.com](http://www.SimCraft.com)