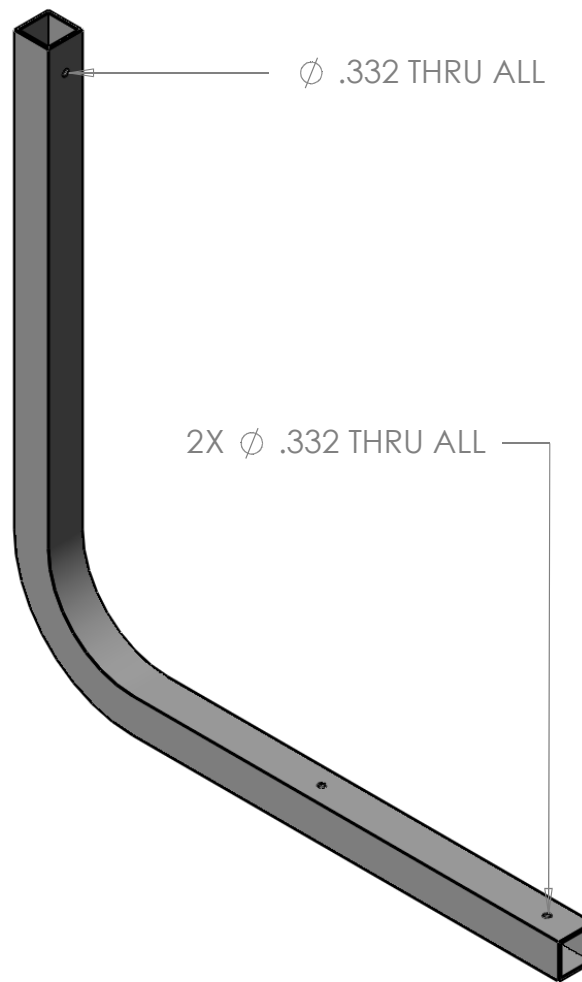
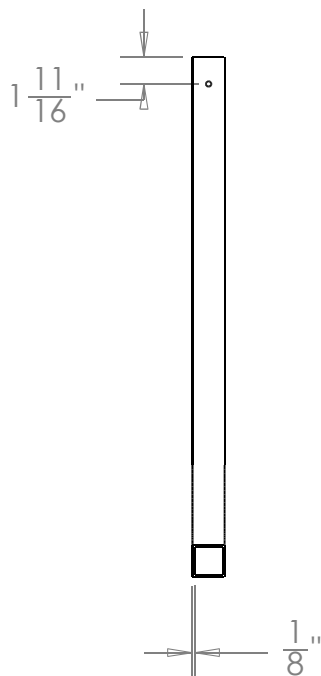
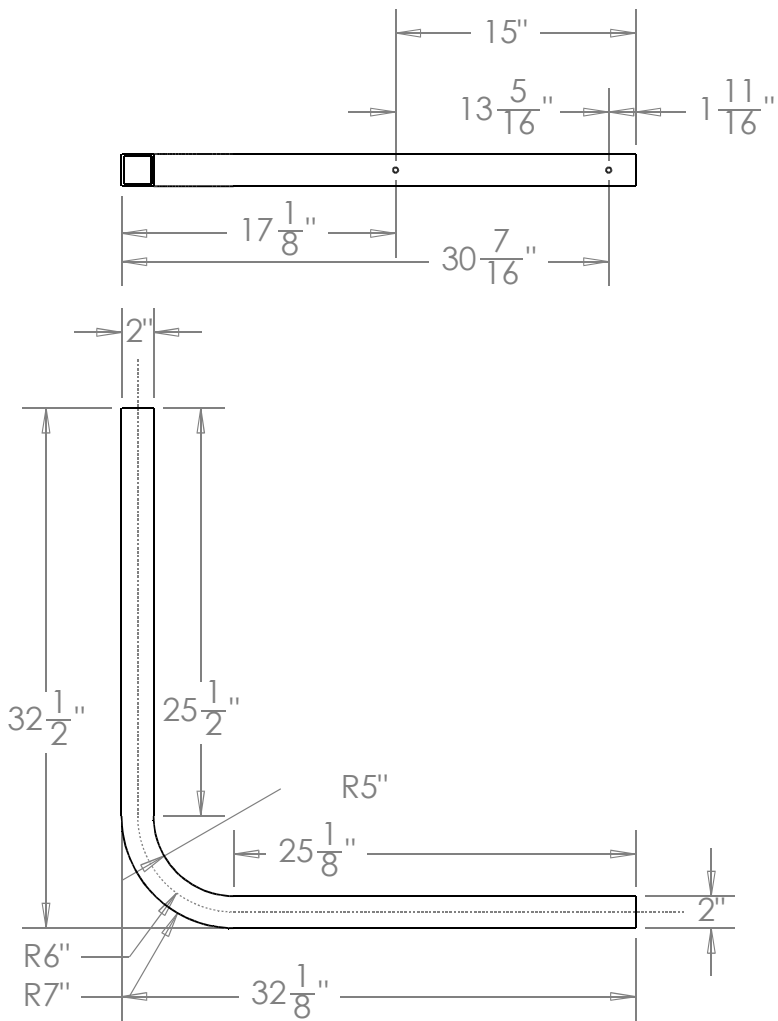


REVISIONS

REV.	DESCRIPTION	Made By	DATE
A	Updated length and height dimensions	SPM	2010.01.15



Title Roll Frame Tube, SHORT

DWG # 9500112

Material 6061-T6 Aluminum Tube
Size 2" Square 0.125" Wall
 Scale 1:12

DRAWN NAME MRB DATE 2008.11.17

simcraftTM

UNLESS OTHERWISE SPECIFIED
 DIMENSIONS ARE IN INCHES
 Tolerances on:
 2 Decimals 0.010 3Decimals 0.005 Angles 0.5deg
 Surface finish 63/ or better
 remove burrs and break sharp edges

**1705 Enterprise Way
 Suite 102
 Marietta, GA 30067**

877.SimCraft (746.2723)
SimCraft.com

Confidential and Proprietary NOT TO BE REPRODUCED OR USED IN ANY MANNER OTHER THAN WITH EXPRESSED WRITTEN PERMISSION