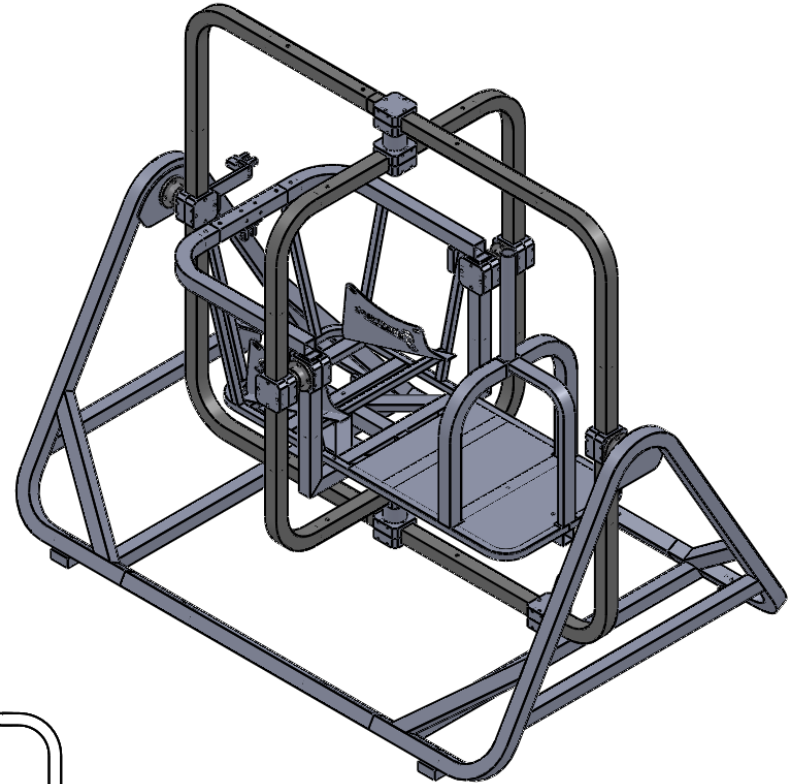
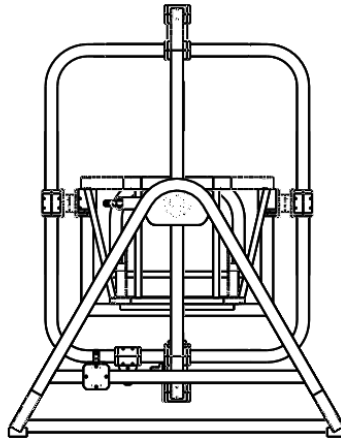
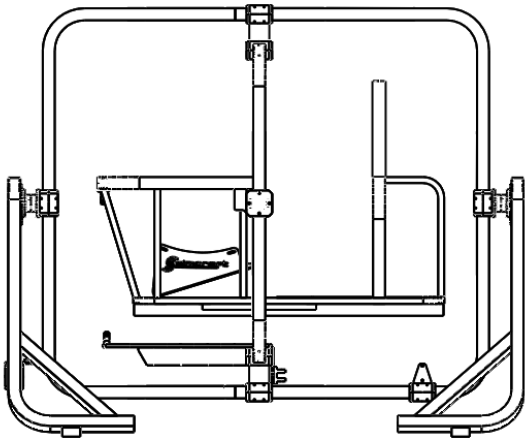
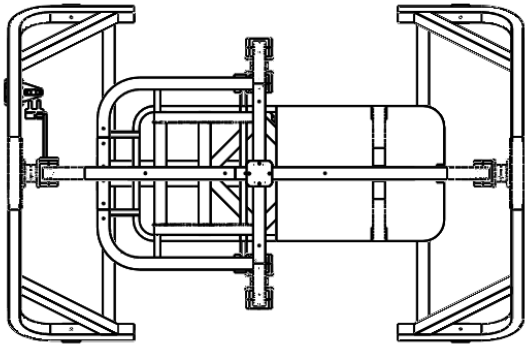


REVISIONS

REV.	DESCRIPTION	Made By	DATE
A	Updated length and height dimensions and added top support frames	SPM	2010.01.15



Title 500 Series sc530/520

DWG # 9500000

Material Mainly 6061-T6 Aluminum

Size Varies

Scale 1:32

DRAWN NAME: MRB DATE: 2009.02.09

simcraftTM

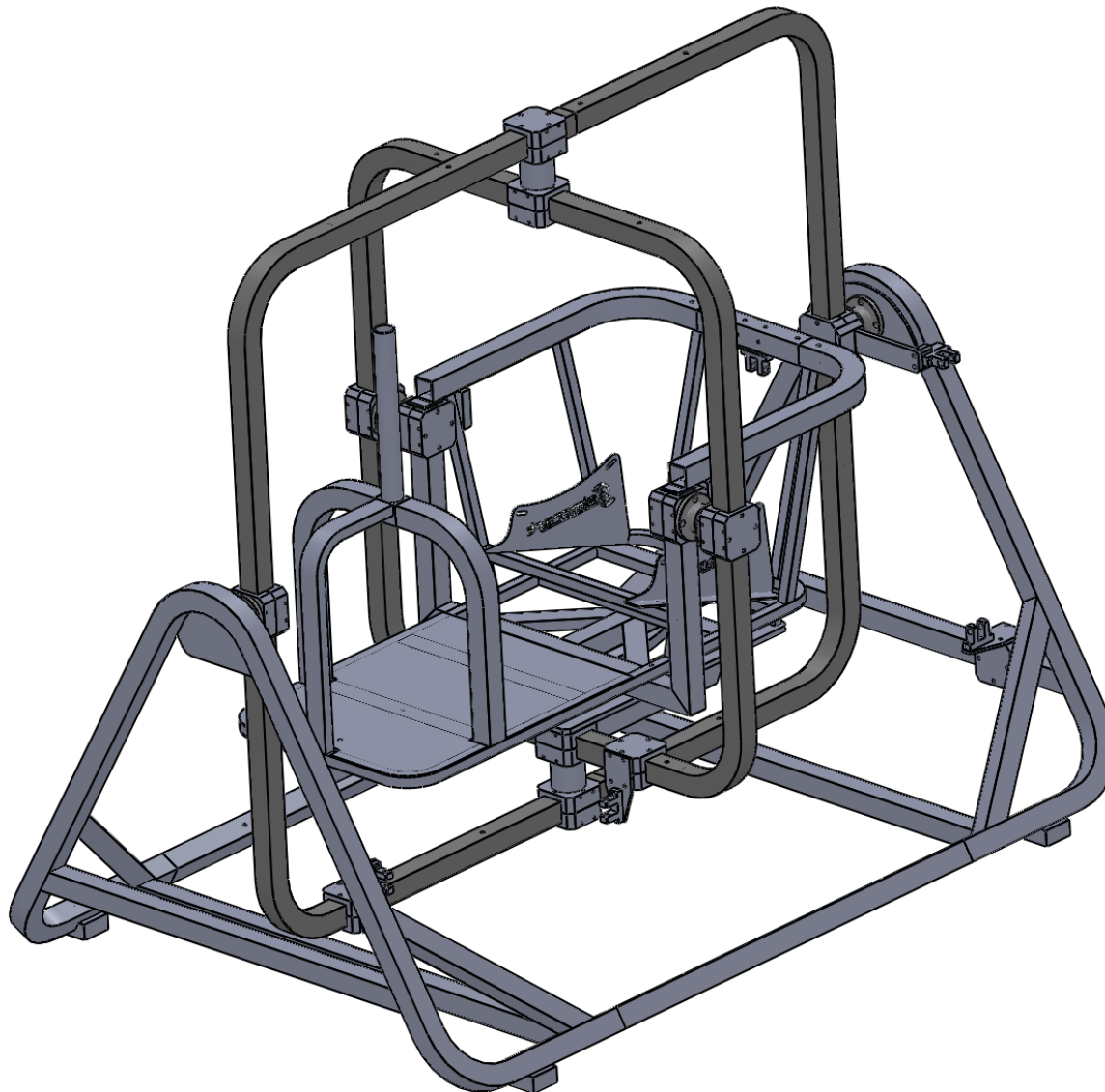
UNLESS OTHERWISE SPECIFIED
DIMENSIONS ARE IN INCHES

Tolerances on:		
2 Decimals	3Decimals	Angles
0.010	0.005	0.5deg

Surface finish 63/ or better
remove burrs and break sharp edges

**1705 Enterprise Way
Suite 102
Marietta, GA 30067**

877.SimCraft (746.2723)
SimCraft.com



Title 500 Series sc530/520

DWG # 9500000

Material Mainly 6061-T6 Aluminum

Size Varies

Scale 1:24

DRAWN NAME: MRB DATE: 2009.02.09

simcraftTM

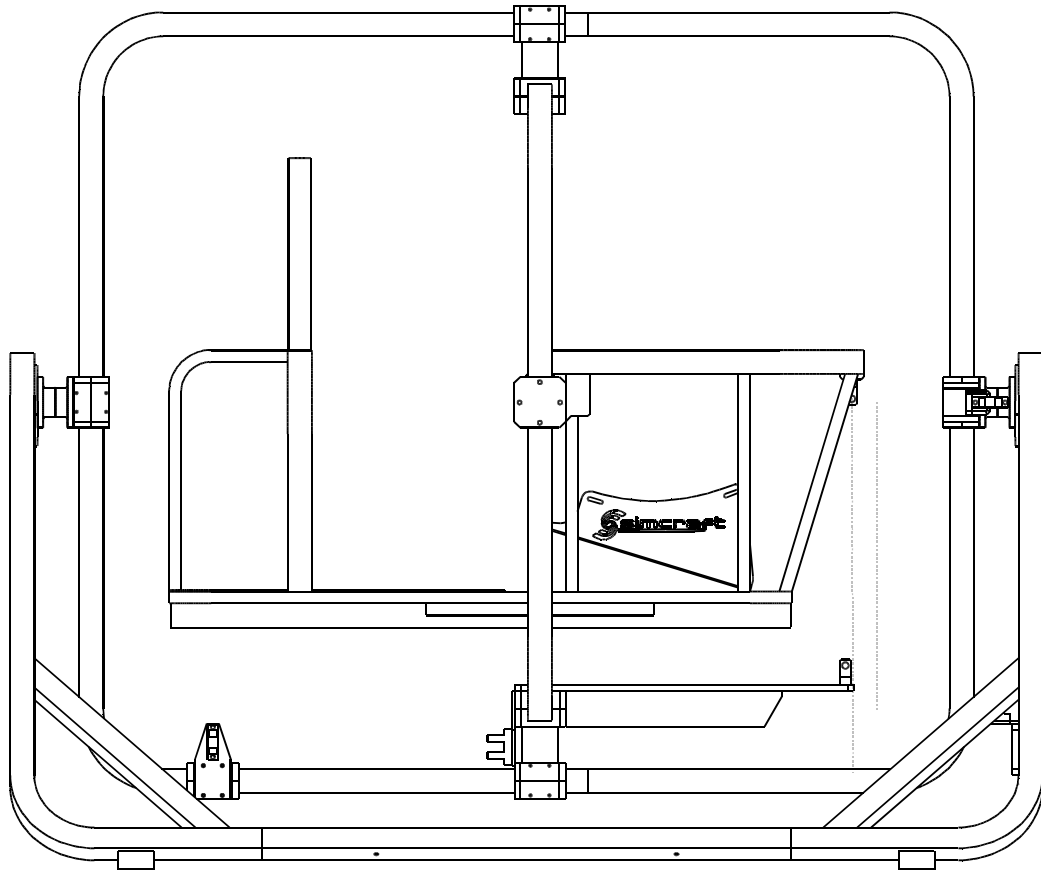
UNLESS OTHERWISE SPECIFIED
DIMENSIONS ARE IN INCHES
Tolerances on:
2 Decimals 3Decimals Angles
0.010 0.005 0.5deg
Surface finish 63/ or better
remove burrs and break sharp edges

**1705 Enterprise Way
Suite 102
Marietta, GA 30067**

877.SimCraft (746.2723)
SimCraft.com



Confidential and Proprietary NOT TO BE REPRODUCED OR USED IN ANY MANNER OTHER THAN WITH EXPRESSED WRITTEN PERMISSION



Title 500 Series sc530/520

DWG # 9500000

Material Mainly 6061-T6 Aluminum

Size Varies

Scale 1:16

DRAWN NAME MRB DATE 2009.02.09

simcraftTM

UNLESS OTHERWISE SPECIFIED
DIMENSIONS ARE IN INCHES
Tolerances on:
2 Decimals 3Decimals Angles
0.010 0.005 0.5deg
Surface finish 63/ or better
remove burrs and break sharp edges

**1705 Enterprise Way
Suite 102
Marietta, GA 30067**

877.SimCraft (746.2723)
SimCraft.com



Confidential and Proprietary NOT TO BE REPRODUCED OR USED IN ANY MANNER OTHER THAN WITH EXPRESSED WRITTEN PERMISSION