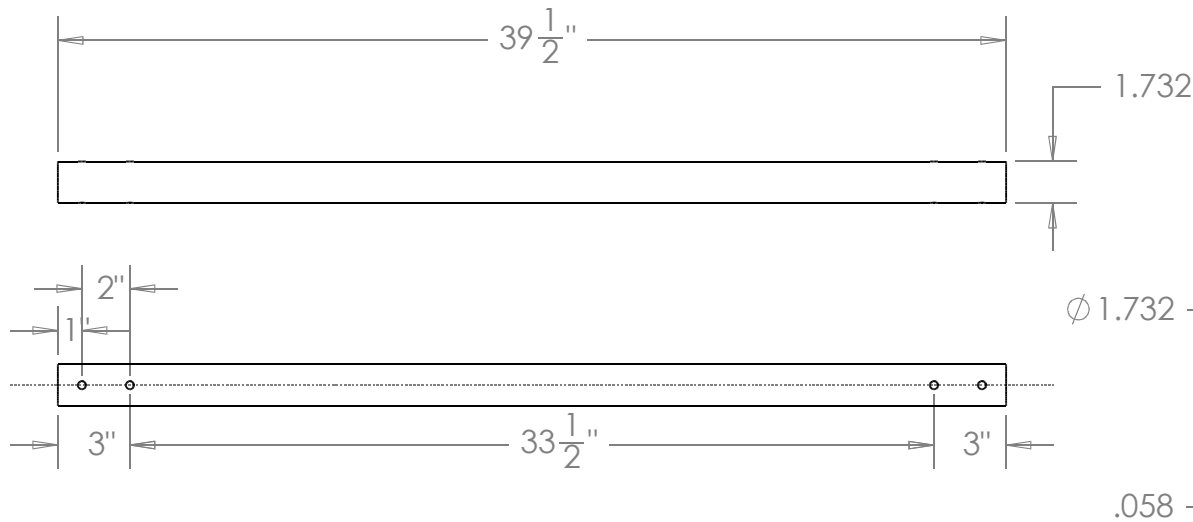


4X Ø .332 THRU ALL



Title Base Insert Cross

DWG # 9300915

Material 2024-T3 Aluminum Tube
Size 1.732"OD 0.058"Wall
 Scale 1:8

DRAWN NAME DATE
 MRB 2008.11.21

simcraftTM

UNLESS OTHERWISE SPECIFIED
 DIMENSIONS ARE IN INCHES
 Tolerances on:
 2 Decimals 3Decimals Angles
 0.010 0.005 5deg
 Surface finish 63/ or better
 remove burrs and break sharp edges

**1705 Enterprise Way
 Suite 102
 Marietta, GA 30067**

877.SimCraft (746.2723)
 www.SimCraft.com