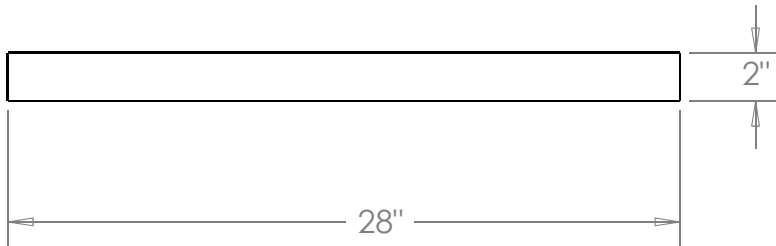
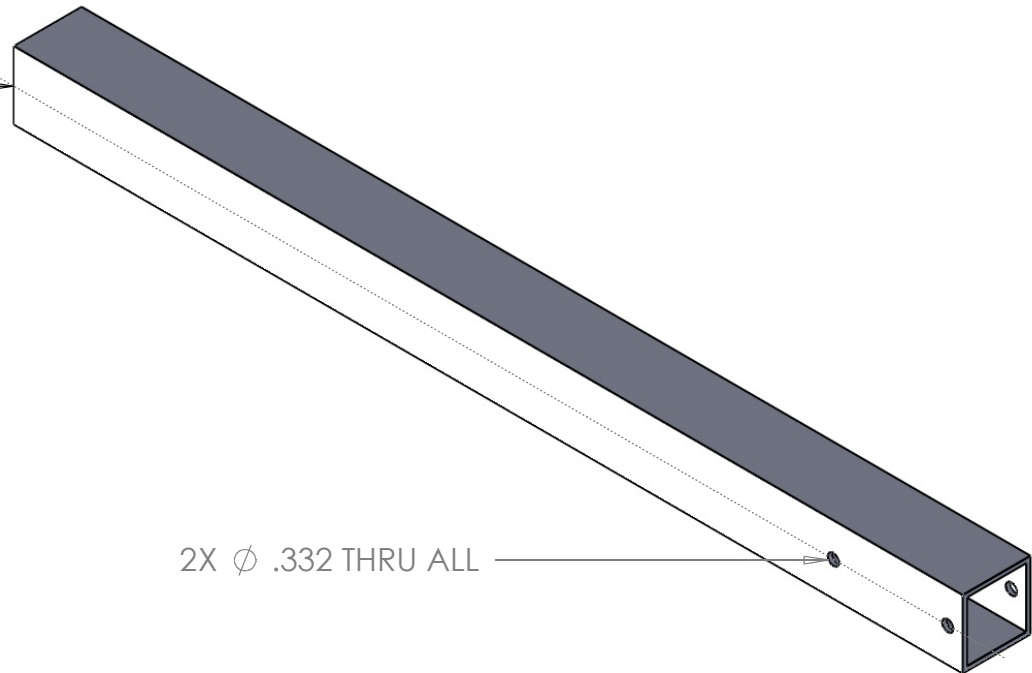
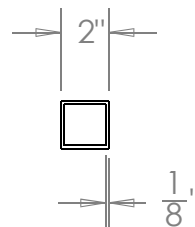
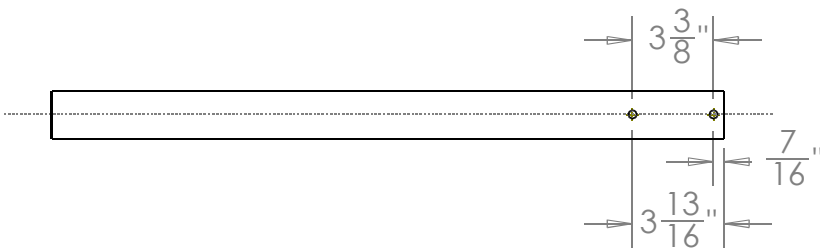


Weld to 9300912 Base End Cross
at Assembly on centers



2X Ø .332 THRU ALL



Title Base End Vertical

DWG # 9300911

Material 6061-T6 Aluminum Tube
Size 2" Square 0.125" Wall
Scale 1:8

DRAWN NAME MRB DATE 2008.11.21

simcraftTM

UNLESS OTHERWISE SPECIFIED
DIMENSIONS ARE IN INCHES
Tolerances on:
2 Decimals 0.010 3Decimals 0.005 Angles 5deg
Surface finish 63/ or better
remove burrs and break sharp edges

**1705 Enterprise Way
Suite 102
Marietta, GA 30067**

877.SimCraft (746.2723)
www.SimCraft.com

Confidential and Proprietary NOT TO BE REPRODUCED OR USED IN ANY MANNER OTHER THAN WITH EXPRESSED WRITTEN PERMISSION