

Title Base Stand Frame ASSY

DWG # 9300900

Material Mainly 6061-T6 Aluminum

Size Varies

Scale 1:32

DRAWN NAME MRB DATE 2008.11.21

simcraftTM

UNLESS OTHERWISE SPECIFIED
DIMENSIONS ARE IN INCHES

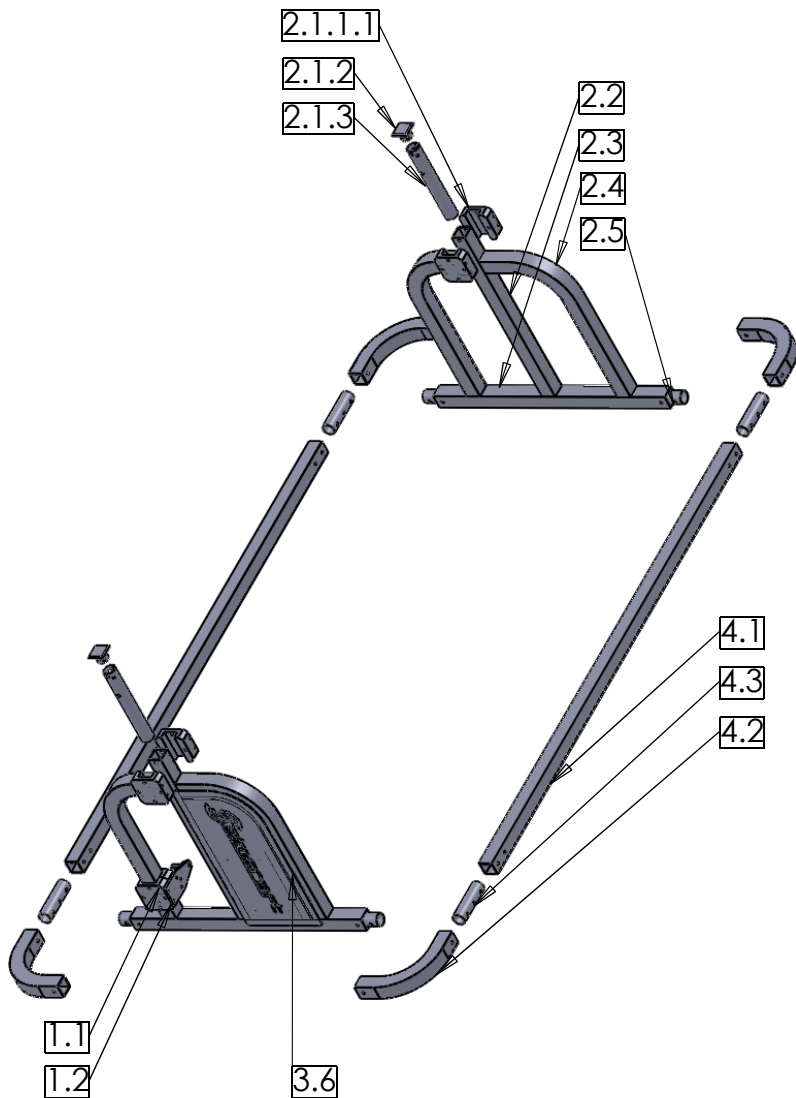
Tolerances on:
2 Decimals 0.010
3Decimals 0.005
Angles 5deg

Surface finish 63/ or better
remove burrs and break sharp edges

**1705 Enterprise Way
Suite 102
Marietta, GA 30067**

877.SimCraft (746.2723)
www.SimCraft.com

Confidential and Proprietary NOT TO BE REPRODUCED OR USED IN ANY MANNER OTHER THAN WITH EXPRESSED WRITTEN PERMISSION



ITEM NO.	SW-Part Number	DESCRIPTION	QTY.
1	9100030	Actuator Bracket Assy	1
1.1	9100011	Knuckle Bracket	2
1.2	9100031	Actuator Pivot Mount Plate	1
2	9300910	Base End Assy	1
2.1	9100010	Knuckle Bracket Plug ASSY	1
2.1.1	9300010	Knuckle Bracket Assy	1
2.1.1.1	9100011	Knuckle Bracket	2
2.1.2	9100012	Plug Tube Cap	1
2.1.3	9100013	Plug Tube	1
2.2	9300911	Base End Vertical	1
2.3	9300912	Base End Cross	1
2.4	9300914	Base End Radius Brace	2
2.5	9300915	Base Insert Cross	1
3	9300910-SC	Base End Assy	1
3.1	9100010	Knuckle Bracket Plug ASSY	1
3.1.1	9300010	Knuckle Bracket Assy	1
3.1.1.1	9100011	Knuckle Bracket	2
3.1.2	9100012	Plug Tube Cap	1
3.1.3	9100013	Plug Tube	1
3.2	9300911	Base End Vertical	1
3.3	9300912	Base End Cross	1
3.4	9300914	Base End Radius Brace	2
3.5	9300915	Base Insert Cross	1
3.6	9300918	Base Plate SimCraft	1
3.7	2DOF Box Assy	2DOF Controller Box Assy	1
3.7.1	2DOF Box	2DOF Controller Box	1
3.7.2	2DOF Box Lid (Holes)	2DOF Controller Box Lid (Holes)	1
3.7.3	2DOF Box Lid	2DOF Controller Box Lid	1
3.7.4	9300919	SC Plastic Insert	1
4	9300920	Base Side Assy	2
4.1	9300921	Base Side Bar	2*1
4.2	9300922	Base Corner Bend	2*2
4.3	9300925	Base Insert Side	2*2

Title Base Stand Frame ASSY

DWG # 9300900

Material Mainly 6061-T6 Aluminum

Size Varies

Scale 1:24

DRAWN NAME MRB DATE 2008.11.21

simcraftTM

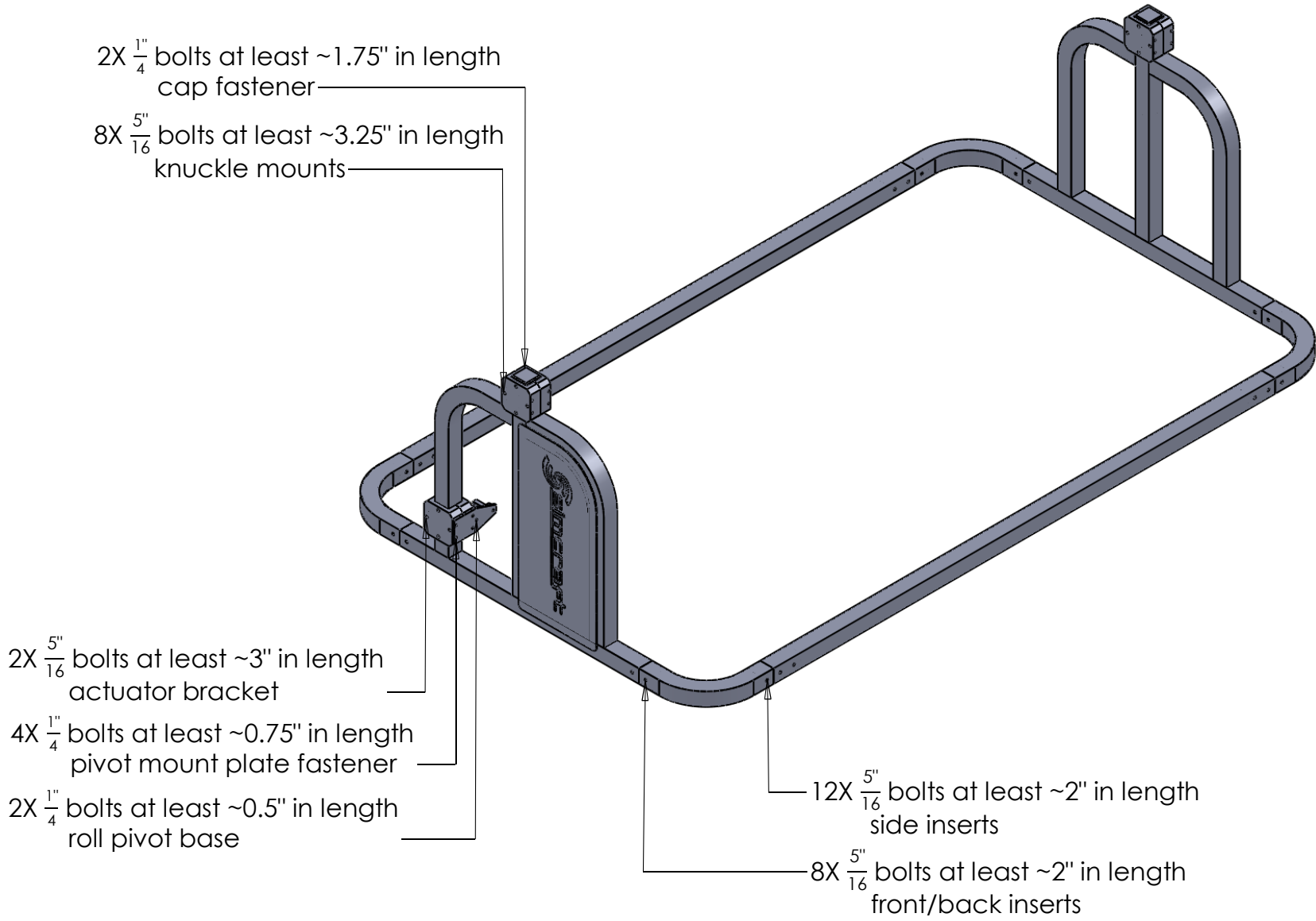
UNLESS OTHERWISE SPECIFIED
DIMENSIONS ARE IN INCHES

Tolerances on:
2 Decimals 3Decimals Angles
0.010 0.005 0.5deg

Surface finish 63/ or better
remove burrs and break sharp edges

**1705 Enterprise Way
Suite 102
Marietta, GA 30067**

877.SimCraft (746.2723)
www.SimCraft.com



Title **Base Stand Frame ASSY**

DWG # **9300900**

Material **Mainly 6061-T6 Aluminum**

Size **Varies**

Scale 1:16

DRAWN NAME DATE
MRB 2008.11.21

simcraftTM

**1705 Enterprise Way
Suite 102
Marietta, GA 30067**

877.SimCraft (746.2723)
www.SimCraft.com

UNLESS OTHERWISE SPECIFIED
DIMENSIONS ARE IN INCHES
Tolerances on:
2 Decimals 3Decimals Angles
0.010 0.005 0.5deg
Surface finish 63/ or better
remove burrs and break sharp edges