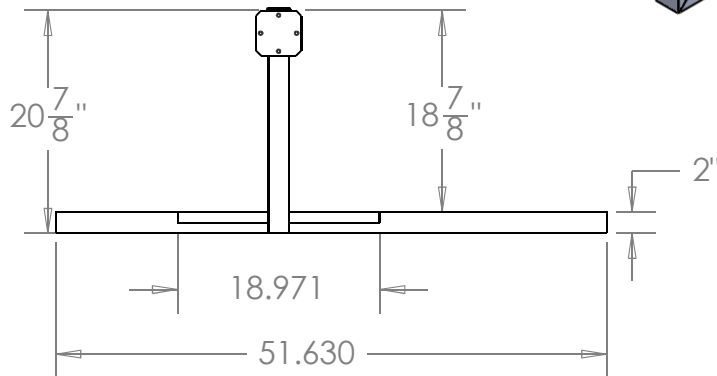
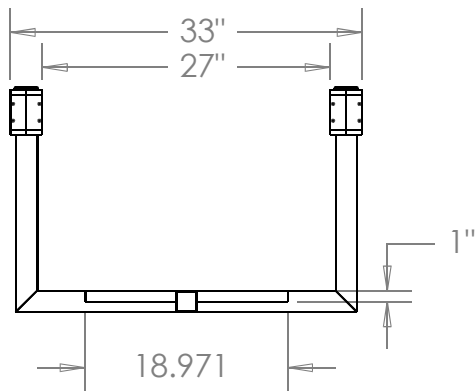
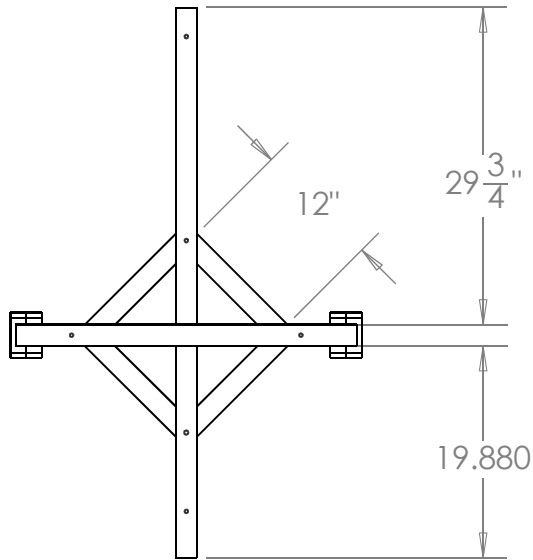


REVISIONS			
REV.	DESCRIPTION	Made By	DATE
A	Shortened cockpit by 8"	SPM	2010.01.15



9100010 Assy

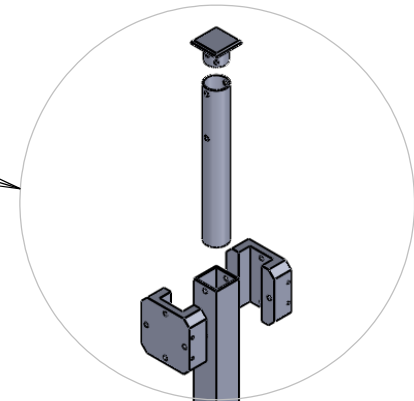
9300315

9300314

9300313

9300312

9300311



**Title** Pitch Frame Assy

**DWG #** 9300310

**Material** Mainly 6061-T6 Aluminum

**Size** Varies

**Scale** 1:18

**DRAWN** NAME: MRB DATE: 2008.11.24

**simcraft**<sup>TM</sup>

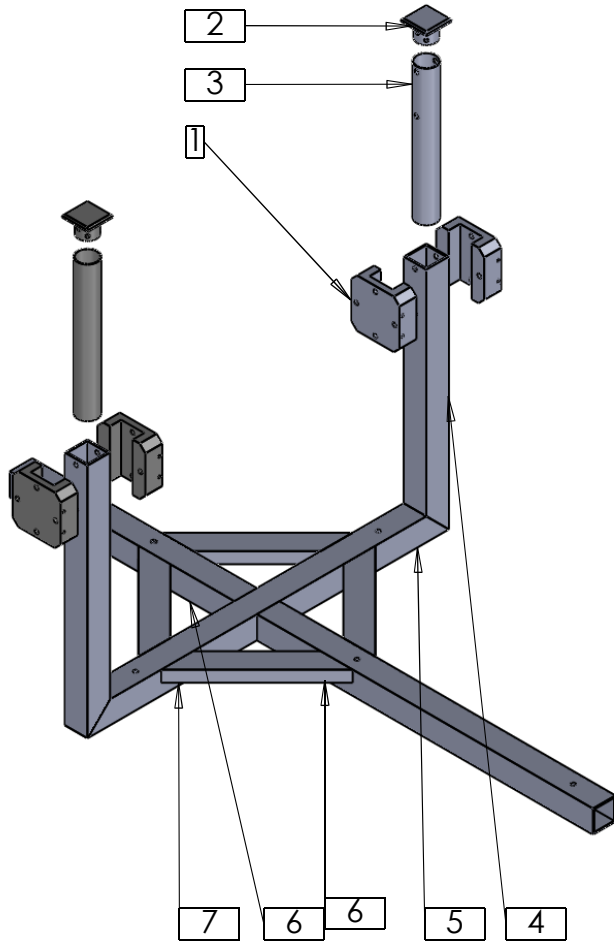
UNLESS OTHERWISE SPECIFIED  
DIMENSIONS ARE IN INCHES  
Tolerances on:  
2 Decimals 3Decimals Angles  
0.010 0.005 0.5deg  
Surface finish 63/ or better  
remove burrs and break sharp edges

**1705 Enterprise Way  
Suite 102  
Marietta, GA 30067**

877.SimCraft (746.2723)  
**SimCraft.com**



**Confidential and Proprietary** NOT TO BE REPRODUCED OR USED IN ANY MANNER OTHER THAN WITH EXPRESSED WRITTEN PERMISSION



ITEM NO.	SW-Part Number	DESCRIPTION	QTY.
1	9100010	Knuckle Bracket Plug ASSY	2
1.1	9300010	Knuckle Bracket Assy	2*1
1.1.1	9100011	Knuckle Bracket	2*2
1.2	9100012	Plug Tube Cap	2*1
1.3	9100013	Plug Tube	2*1
2	9300311	Pitch Bar Vertical	2
3	9300312	Pitch Bar Cross	1
4	9300313	Pitch Bar Support Front	1
5	9300314	Pitch Bar Support Back	1
6	9300315	Pitch Bar Diag	4

**Title** Pitch Frame Assy

**DWG #** 9300310

**Material** Mainly 6061-T6 Aluminum

**Size** Varies

**Scale** 1:12

**DRAWN** NAME: MRB DATE: 2008.11.24

**simcraft**<sup>TM</sup>

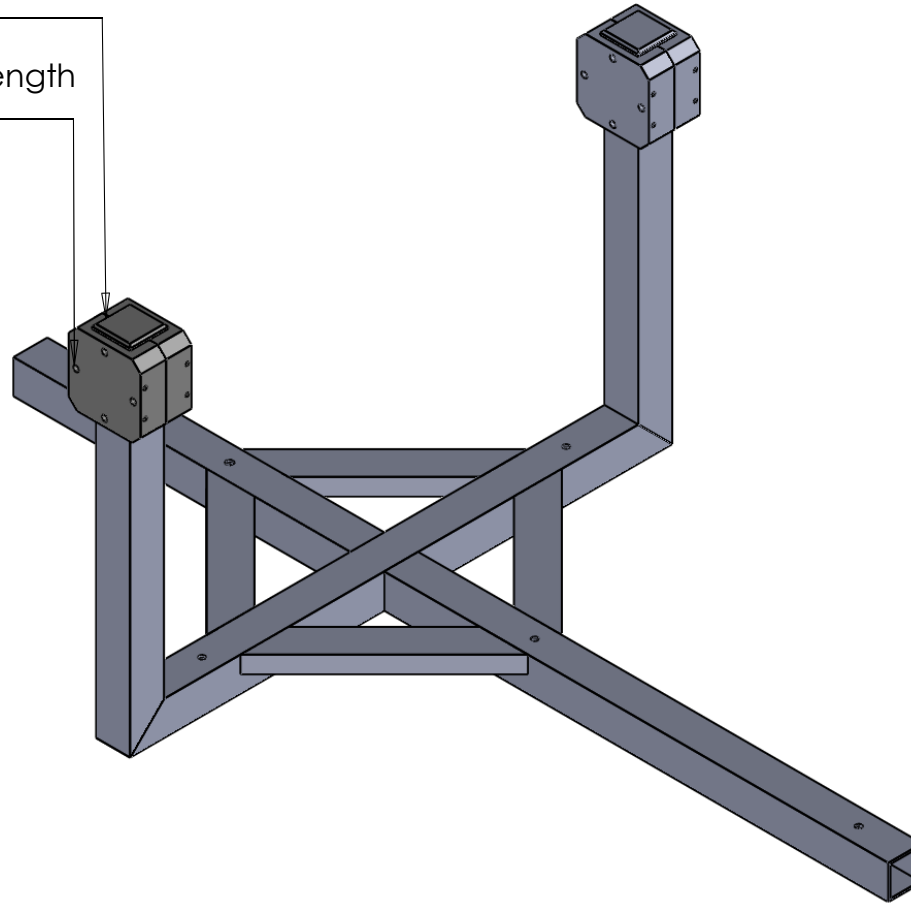
UNLESS OTHERWISE SPECIFIED  
DIMENSIONS ARE IN INCHES  
Tolerances on:  
2 Decimals 3Decimals Angles  
0.010 0.005 0.5deg  
Surface finish 63/ or better  
remove burrs and break sharp edges

**1705 Enterprise Way  
Suite 102  
Marietta, GA 30067**

877.SimCraft (746.2723)  
**SimCraft.com**

2X  $\frac{1}{4}$ " bolts at least ~1.75" in length  
 cap fastener

8X  $\frac{5}{16}$ " bolts at least ~3.25" in length  
 knuckle mounts



**Title** Pitch Frame Assy

**DWG #** 9300310

**Material** Mainly 6061-T6 Aluminum

**Size** Varies

**Scale** 1:8

**DRAWN** NAME: MRB DATE: 2008.11.24

**simcraft**<sup>TM</sup>

UNLESS OTHERWISE SPECIFIED  
 DIMENSIONS ARE IN INCHES

Tolerances on:		
2 Decimals	3Decimals	Angles
0.010	0.005	0.5deg

Surface finish 63/ or better  
 remove burrs and break sharp edges

**1705 Enterprise Way  
 Suite 102  
 Marietta, GA 30067**

877.SimCraft (746.2723)  
 SimCraft.com

**Confidential and Proprietary** NOT TO BE REPRODUCED OR USED IN ANY MANNER OTHER THAN WITH EXPRESSED WRITTEN PERMISSION