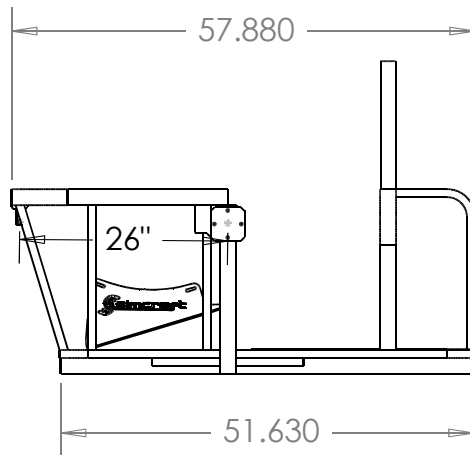
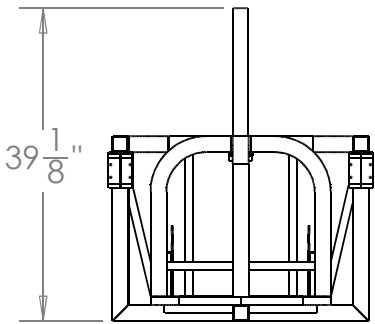
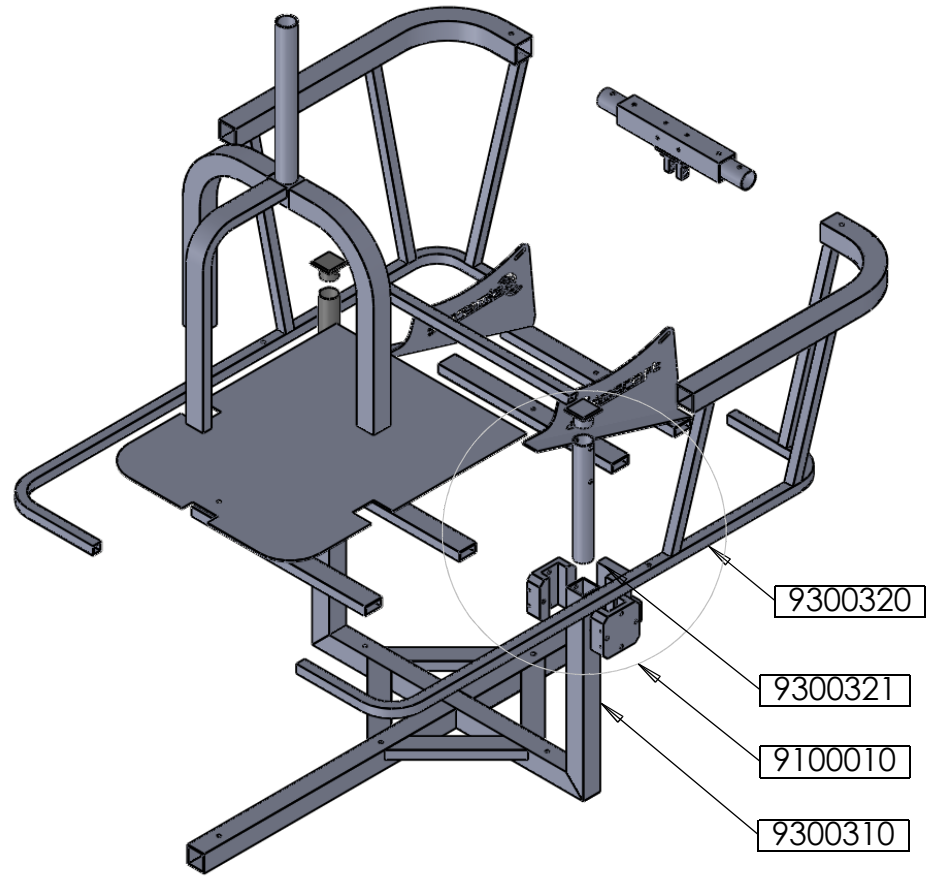
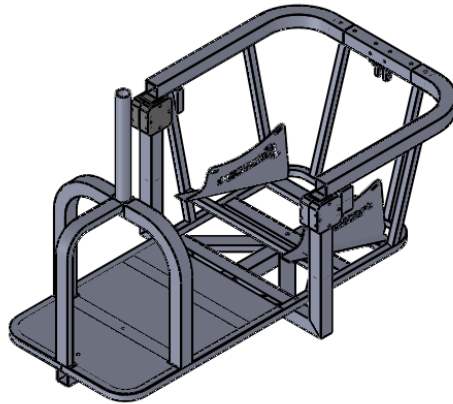
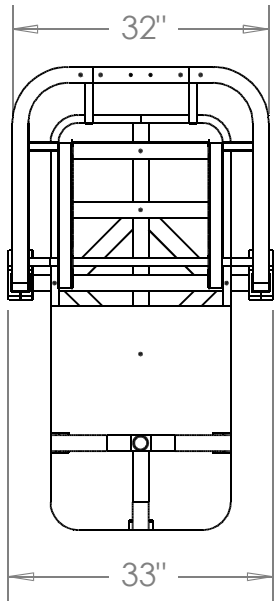


REVISIONS

REV.	DESCRIPTION	Made By	DATE
A	Shortened cockpit by 8"	SPM	2010.01.15



**Title Pitch Cockpit ASSY**

**DWG # 9300300**

**Material Mainly 6061-T6 Aluminum**

**Size Varies**

Scale 1:24

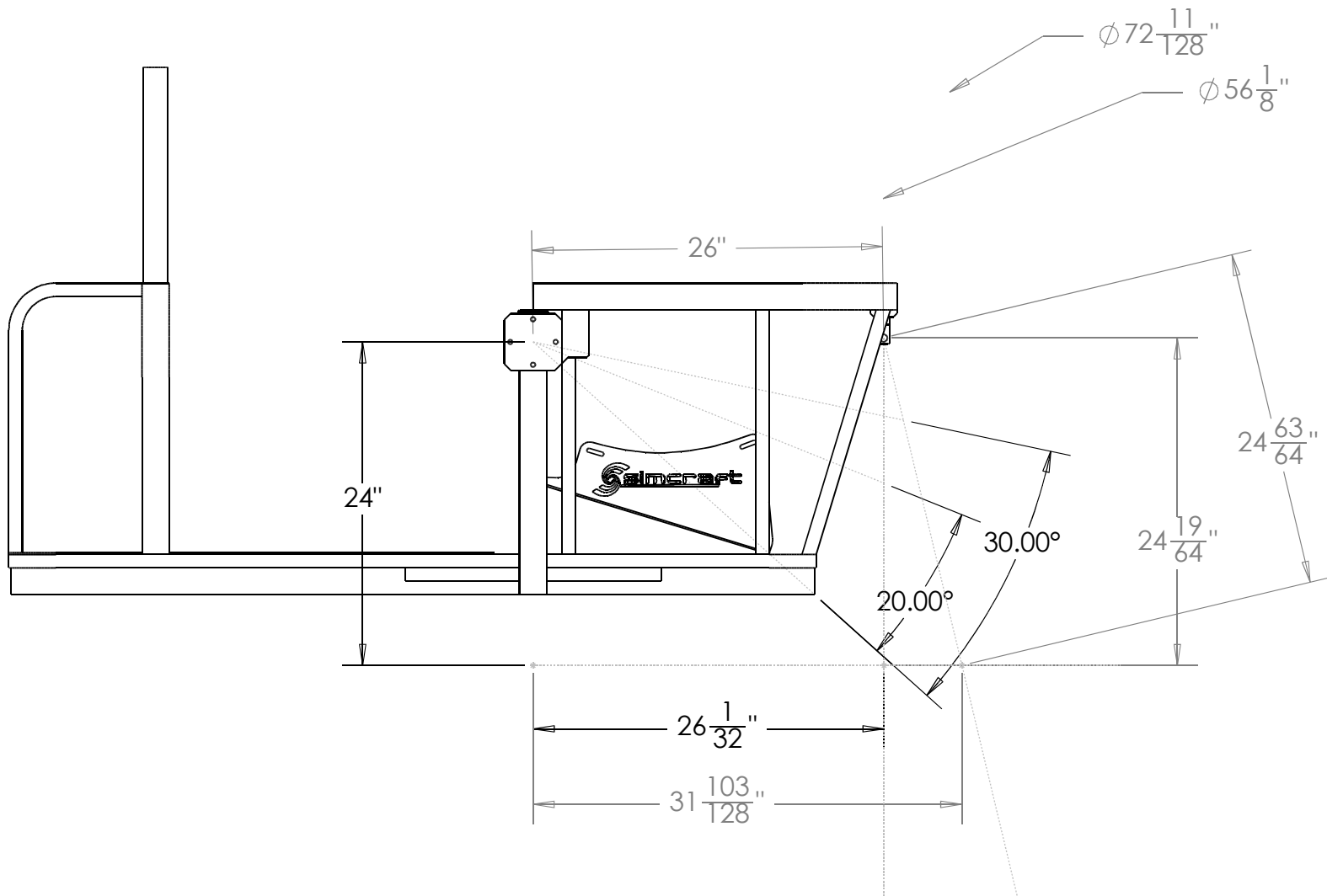
DRAWN NAME MRB DATE 2008.11.24

**simcraft™**

UNLESS OTHERWISE SPECIFIED  
DIMENSIONS ARE IN INCHES  
Tolerances on:  
2 Decimals 0.010 3Decimals 0.005 Angles 0.5deg  
Surface finish 63/ or better  
remove burrs and break sharp edges

**1705 Enterprise Way  
Suite 102  
Marietta, GA 30067**

877.SimCraft (746.2723)  
SimCraft.com



**Title** Pitch Cockpit ASSY

**DWG #** 9300300

**Material** Mainly 6061-T6 Aluminum

**Size** Varies

**Scale** 1:12

**DRAWN** NAME MRB DATE 2008.11.24

**simcraft**<sup>TM</sup>

**1705 Enterprise Way  
Suite 102  
Marietta, GA 30067**

877.SimCraft (746.2723)  
**SimCraft.com**

UNLESS OTHERWISE SPECIFIED  
DIMENSIONS ARE IN INCHES  
Tolerances on:  
2 Decimals 3Decimals Angles  
0.010 0.005 0.5deg  
Surface finish 63 or better  
remove burrs and break sharp edges