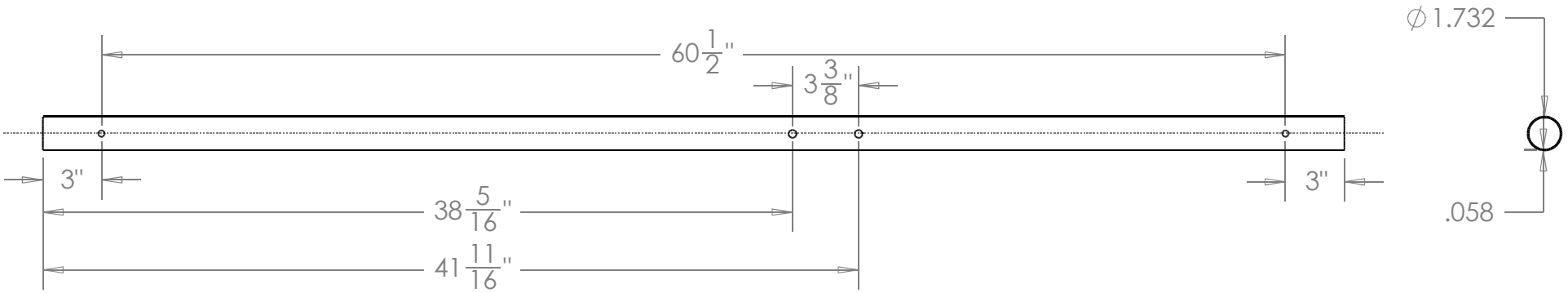
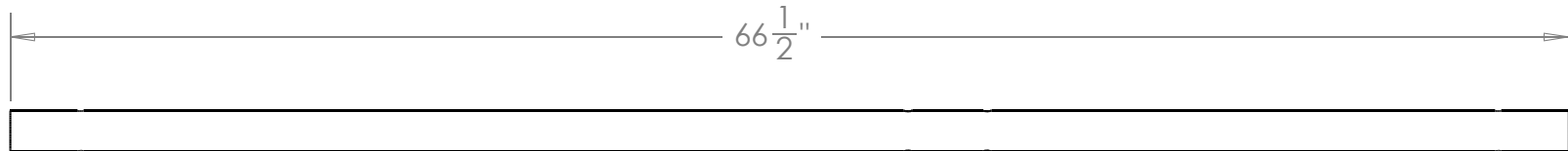


4X  $\phi$  .332 THRU ALL



**Title** Roll Insert Side

**DWG #** 9300115

**Material** 2024-T3 Aluminum Tube  
**Size** 1.732"OD 0.058"Wall  
 Scale 1:8

**DRAWN** NAME MRB DATE 2008.11.21

**simcraft**<sup>TM</sup>

UNLESS OTHERWISE SPECIFIED  
 DIMENSIONS ARE IN INCHES  
 Tolerances on:  
 2 Decimals 0.010 3Decimals 0.005 Angles 0.5deg  
 Surface finish 63/ or better  
 remove burrs and break sharp edges

**1705 Enterprise Way  
 Suite 102  
 Marietta, GA 30067**

877.SimCraft (746.2723)  
 www.SimCraft.com