

Title Roll Frame ASSY

DWG # 9300100

Material Mainly 6061-T6 Aluminum

Size Varies

Scale 1:24

DRAWN NAME MRB DATE 2008.11.21

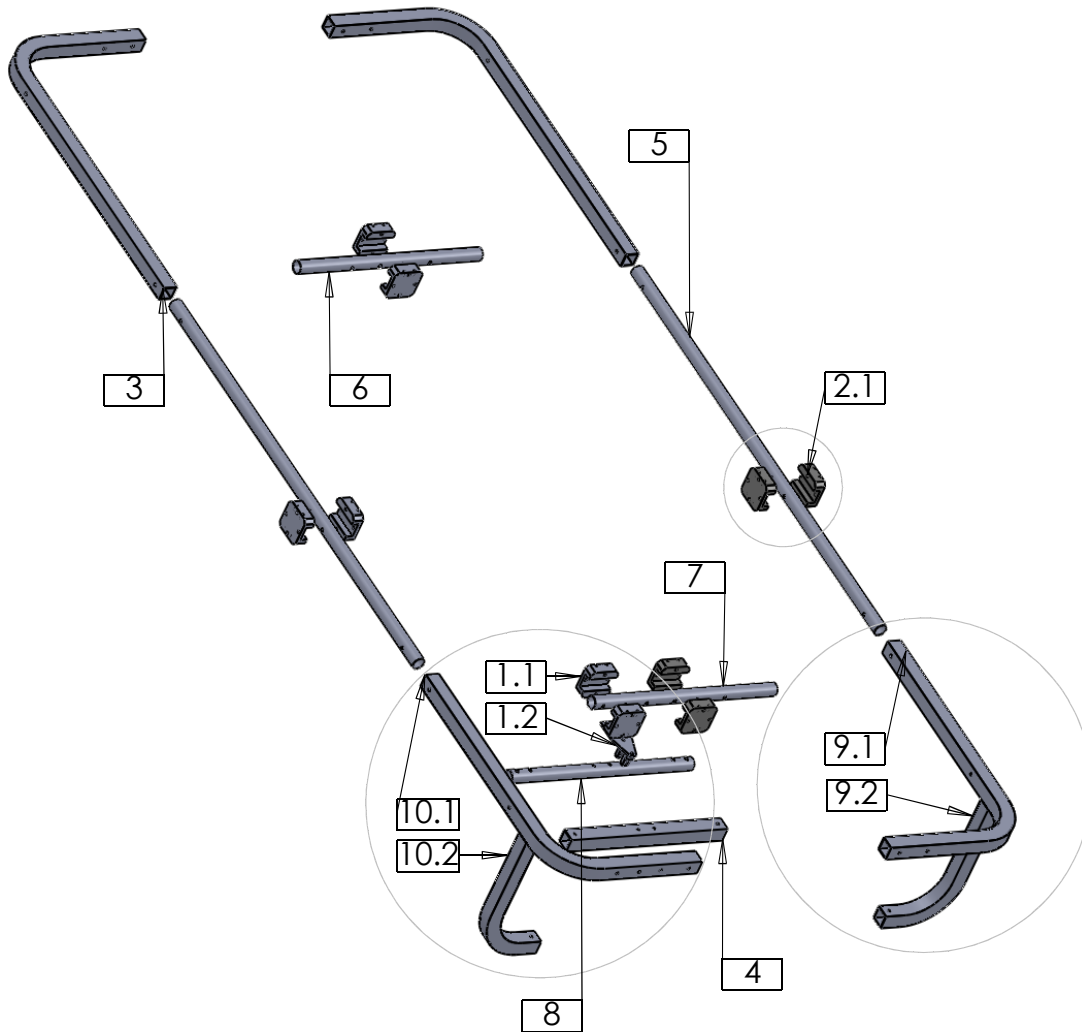
simcraftTM

UNLESS OTHERWISE SPECIFIED
DIMENSIONS ARE IN INCHES
Tolerances on:
2 Decimals 0.010
3Decimals 0.005
Angles 0.5deg
Surface finish 63/ or better
remove burrs and break sharp edges

**1705 Enterprise Way
Suite 102
Marietta, GA 30067**

877.SimCraft (746.2723)
SimCraft.com

Confidential and Proprietary NOT TO BE REPRODUCED OR USED IN ANY MANNER OTHER THAN WITH EXPRESSED WRITTEN PERMISSION



ITEM NO.	PartNo	DESCRIPTION	QTY.
1	9100030	Actuator Bracket	1
1.1	9100011	Knuckle Bracket	2
1.2	9100031	Actuator Pivot Mount Plate	1
2	9300010	Knuckle Bracket Assy	4
2.1	9100011	Knuckle Bracket	8
3	9300111	Roll Bar Front	2
4	9300114	Roll Bar Undermount	1
5	9300115	Roll Insert Side	2
6	9300116	Roll Insert Cross	1
7	9300116-B	Roll Insert Cross Back	1
8	9300117	Roll Insert Undermount	1
9	9300120	Roll Bar Back Right Assy	1
9.1	9300112	Roll Bar Back	1
9.2	9300113	Roll Bar Vertical	1
10	9300130	Roll Bar Back Left Assy	1
10.1	9300112-L	Roll Bar Back Left	1
10.2	9300113	Roll Bar Vertical	1

Title Roll Frame ASSY

DWG # 9300100

Material Mainly 6061-T6 Aluminum

Size Varies

Scale 1:24

DRAWN NAME MRB DATE 2008.11.21

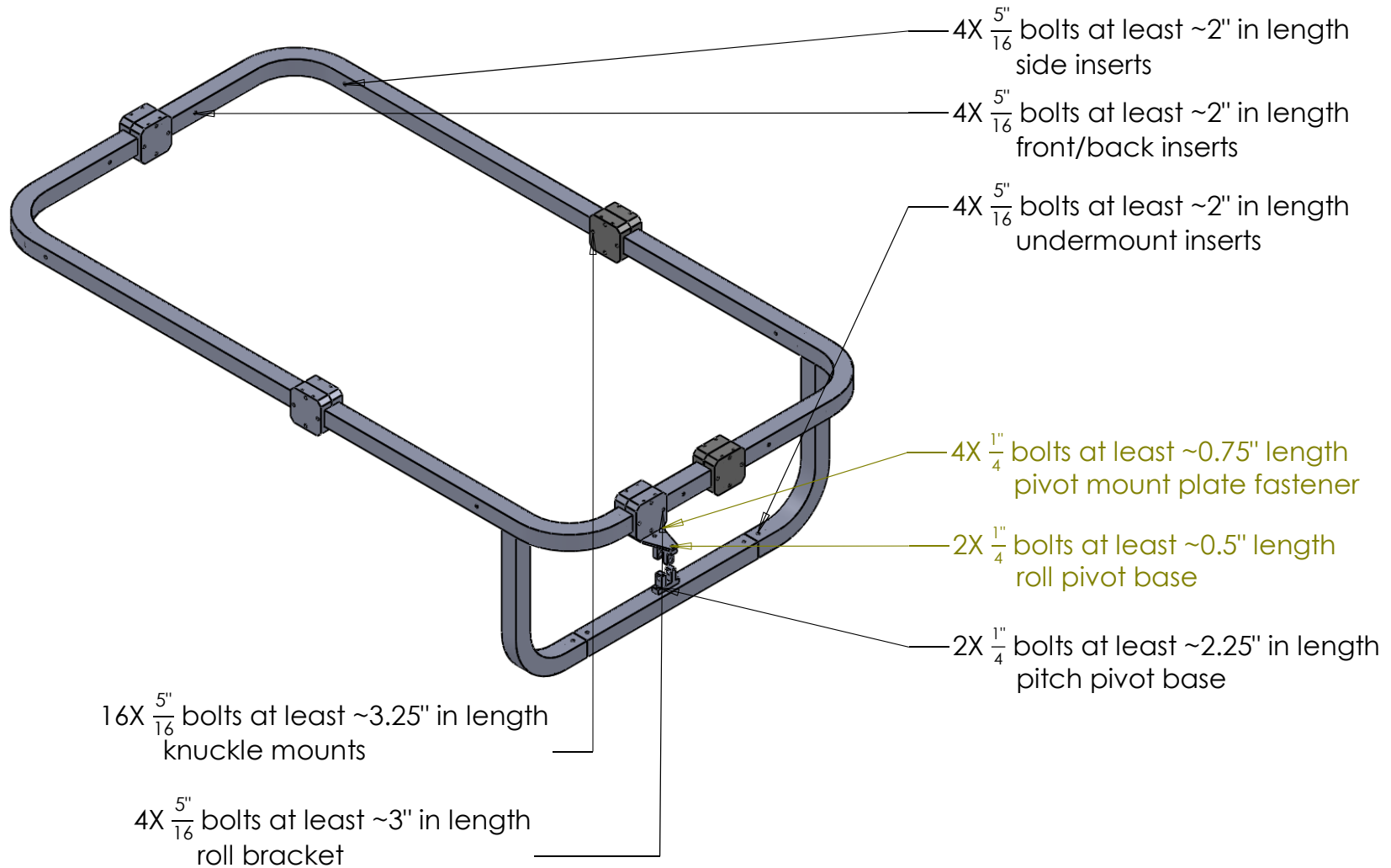
simcraftTM

UNLESS OTHERWISE SPECIFIED
DIMENSIONS ARE IN INCHES
Tolerances on:
2 Decimals 3Decimals Angles
0.010 0.005 0.5deg
Surface finish 63/ or better
remove burrs and break sharp edges

**1705 Enterprise Way
Suite 102
Marietta, GA 30067**

877.SimCraft (746.2723)
SimCraft.com

Confidential and Proprietary NOT TO BE REPRODUCED OR USED IN ANY MANNER OTHER THAN WITH EXPRESSED WRITTEN PERMISSION



Title Roll Frame ASSY

DWG # 9300100

Material Mainly 6061-T6 Aluminum

Size Varies

Scale 1:24

DRAWN NAME DATE
MRB 2008.11.21

simcraftTM

**1705 Enterprise Way
Suite 102
Marietta, GA 30067**

877.SimCraft (746.2723)
SimCraft.com

UNLESS OTHERWISE SPECIFIED
DIMENSIONS ARE IN INCHES
Tolerances on:
2 Decimals 3Decimals Angles
0.010 0.005 0.5deg
Surface finish 63/ \sqrt or better
remove burrs and break sharp edges