

Title Actuator Pivot Mount Plate

DWG # 9100031

Material 6061-T6 Aluminum Plate
Size 6.25" X 3" X 0.25" Thick
 Scale 1:2

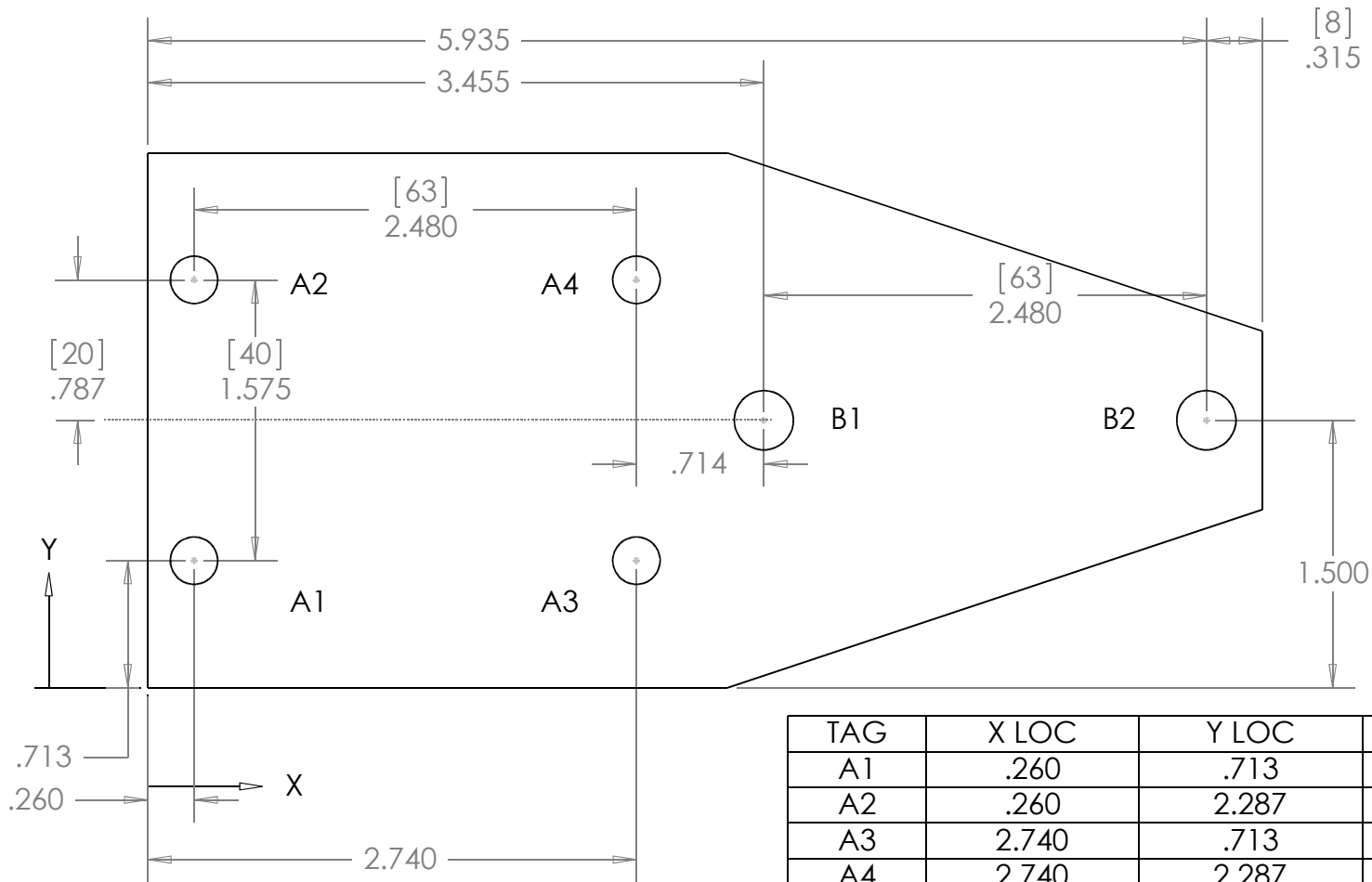
DRAWN NAME DATE
 MRB 2008.11.21

simcraft™

UNLESS OTHERWISE SPECIFIED
 DIMENSIONS ARE IN INCHES
 Tolerances on:
 2 Decimals 3Decimals Angles
 0.010 0.005 0.5deg
 Surface finish 63/ or better
 remove burrs and break sharp edges

**1705 Enterprise Way
 Suite 102
 Marietta, GA 30067**

877.SimCraft (746.2723)
 SimCraft.com



TAG	X LOC	Y LOC	SIZE
A1	.260	.713	Ø .266 THRU ALL
A2	.260	2.287	Ø .266 THRU ALL
A3	2.740	.713	Ø .266 THRU ALL
A4	2.740	2.287	Ø .266 THRU ALL
B1	3.455	1.500	Ø .332 THRU ALL
B2	5.935	1.500	Ø .332 THRU ALL

Title Actuator Pivot Mount Plate

DWG # 9100031

Material 6061-T6 Aluminum Plate
Size 6.25" X 3" X 0.25" Thick
Scale 1:2

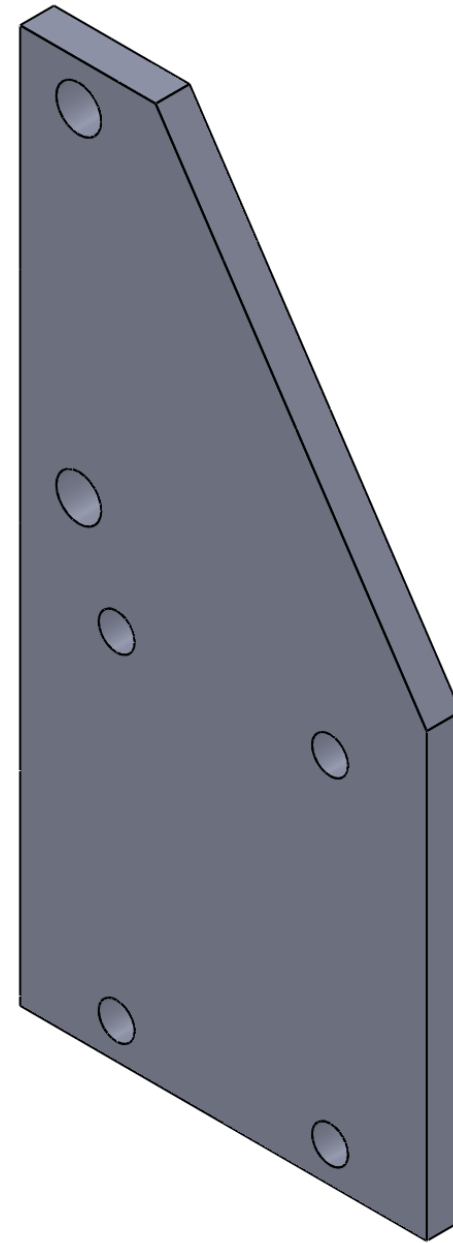
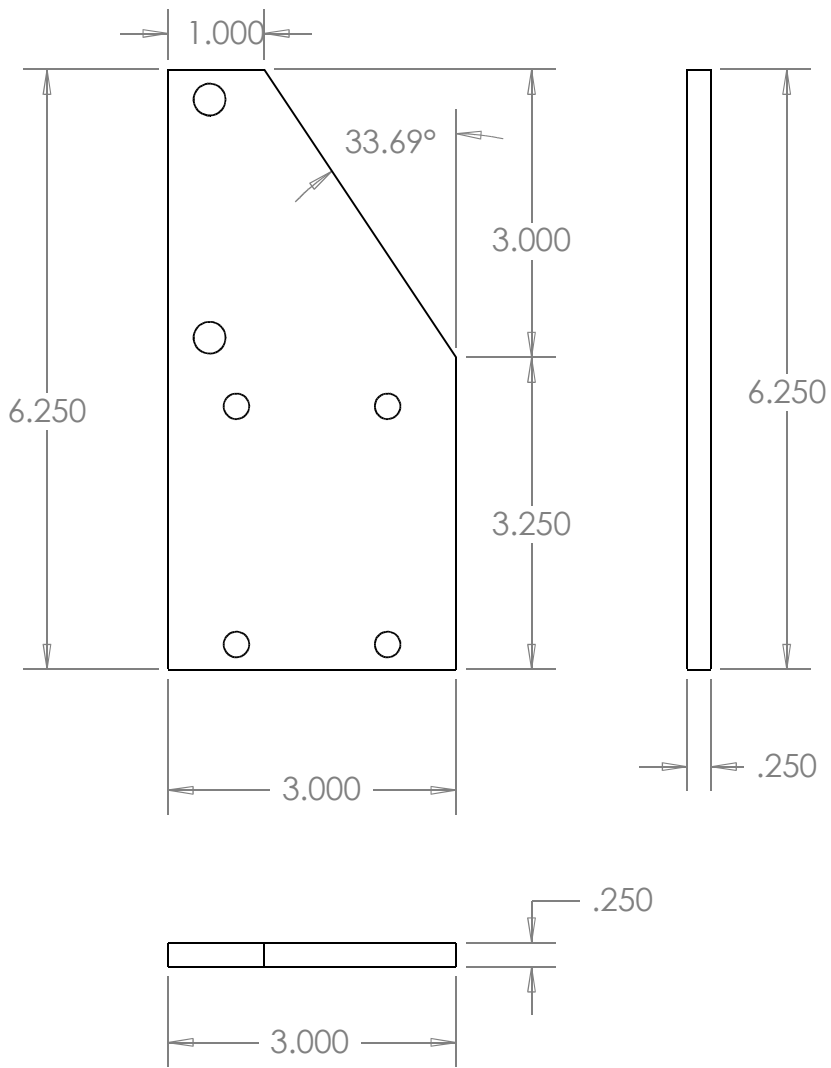
DRAWN NAME MRB DATE 2008.11.21

simcraftTM

UNLESS OTHERWISE SPECIFIED
 DIMENSIONS ARE IN INCHES
 Tolerances on:
 2 Decimals 3Decimals Angles
 0.010 0.005 0.5deg
 Surface finish 63/ or better
 remove burrs and break sharp edges

**1705 Enterprise Way
 Suite 102
 Marietta, GA 30067**

877.SimCraft (746.2723)
 SimCraft.com



Title Actuator Pivot Mount OffCenter

DWG # 9100032

Material 6061-T6 Aluminum Plate
Size 6.25" X 3" X 0.25" Thick
Scale 1:2

DRAWN NAME: MRB DATE: 2008.11.21

simcraftTM

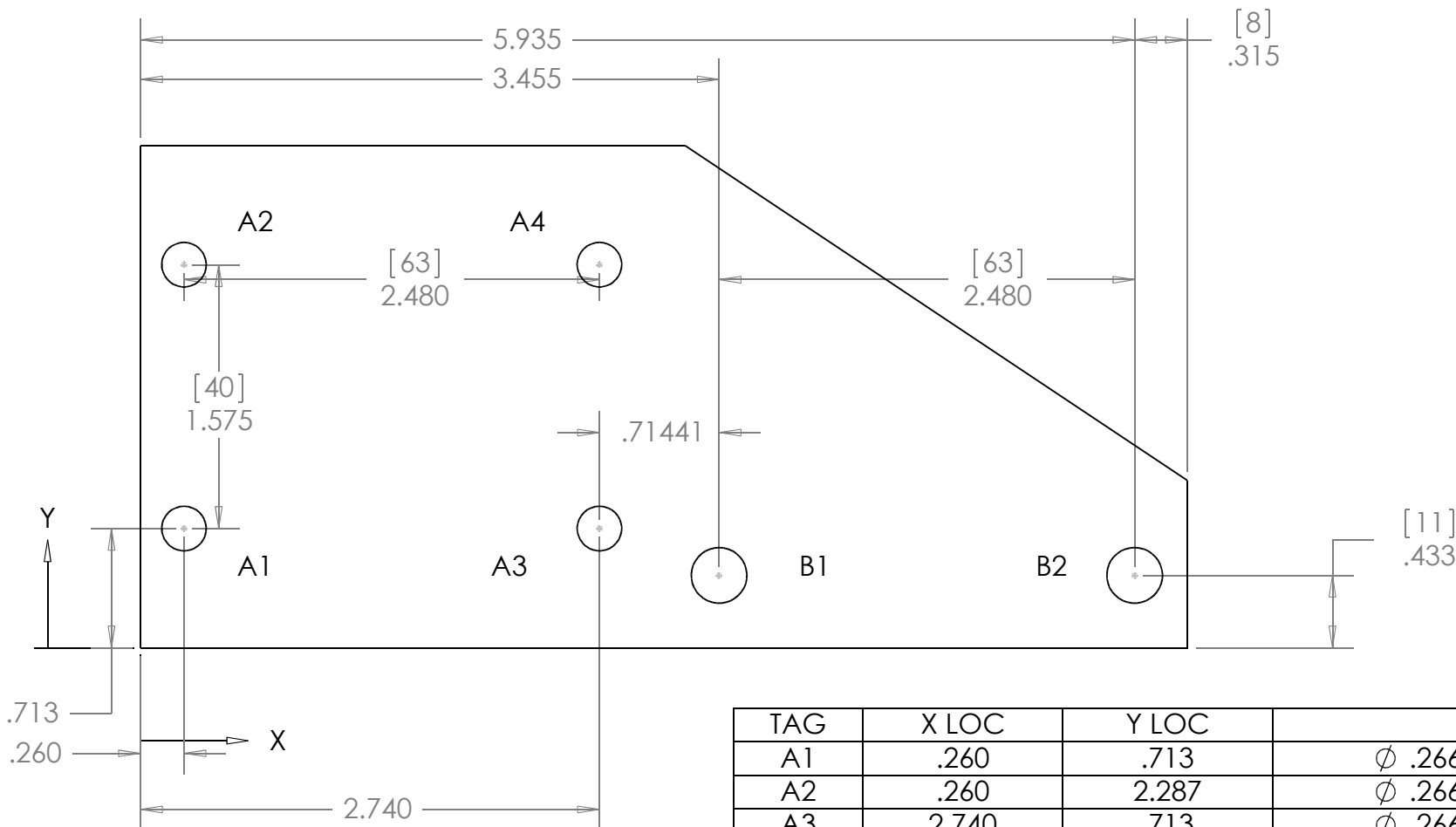
UNLESS OTHERWISE SPECIFIED
 DIMENSIONS ARE IN INCHES
 Tolerances on:
 2 Decimals 3Decimals Angles
 0.010 0.005 0.5deg
 Surface finish 63/ or better
 remove burrs and break sharp edges

**1705 Enterprise Way
 Suite 102
 Marietta, GA 30067**

877.SimCraft (746.2723)
 SimCraft.com



Confidential and Proprietary NOT TO BE REPRODUCED OR USED IN ANY MANNER OTHER THAN WITH EXPRESSED WRITTEN PERMISSION



TAG	X LOC	Y LOC	SIZE
A1	.260	.713	Ø .266 THRU ALL
A2	.260	2.287	Ø .266 THRU ALL
A3	2.740	.713	Ø .266 THRU ALL
A4	2.740	2.287	Ø .266 THRU ALL
B1	3.455	.433	Ø .332 THRU ALL
B2	5.935	.433	Ø .332 THRU ALL

Title Actuator Pivot Mount OffCenter

DWG # 9100032

Material 6061-T6 Aluminum Plate
Size 6.25" X 3" X 0.25"Thick
Scale 1:2

DRAWN NAME MRB DATE 2008.11.21

simcraftTM

UNLESS OTHERWISE SPECIFIED
 DIMENSIONS ARE IN INCHES
 Tolerances on:
 2 Decimals 3Decimals Angles
 0.010 0.005 0.5deg
 Surface finish 63/ or better
 remove burrs and break sharp edges

**1705 Enterprise Way
 Suite 102
 Marietta, GA 30067**

877.SimCraft (746.2723)
 SimCraft.com