

9100011

9100031

SC precision mount

Title Actuator Bracket

DWG # 9100030

Material Mainly 6061-T6 Aluminum

Size Varies

Scale 1:4

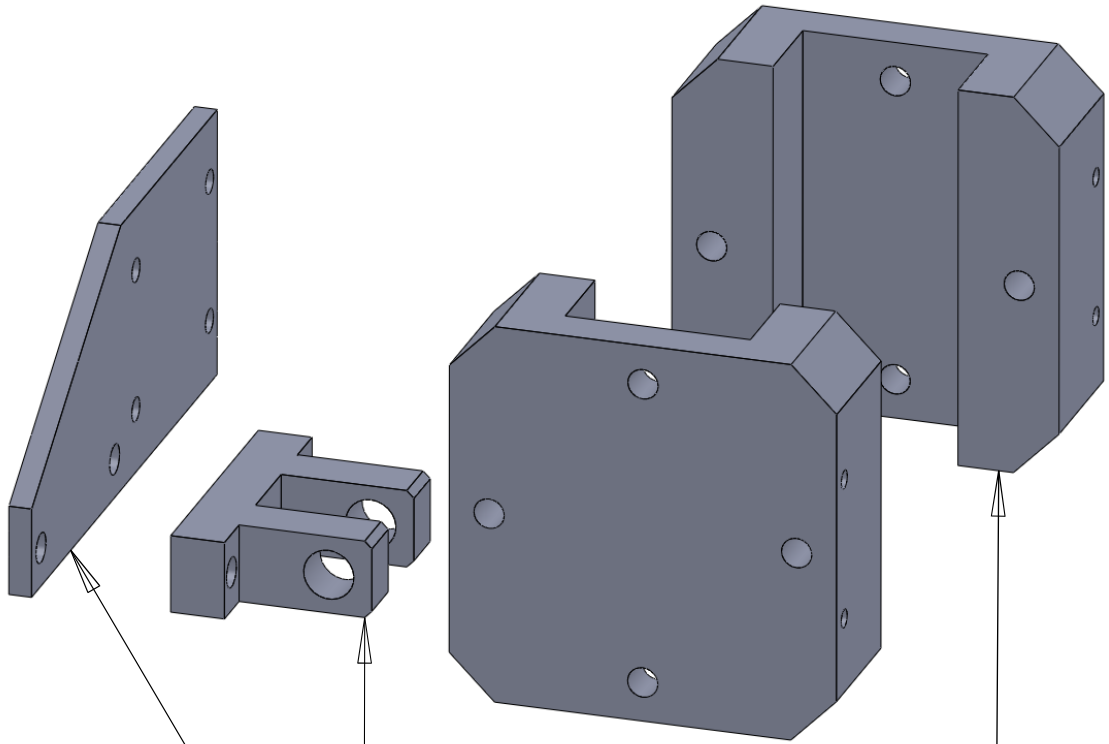
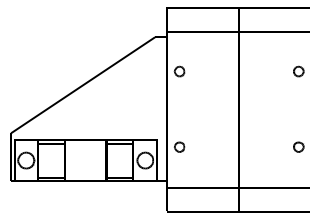
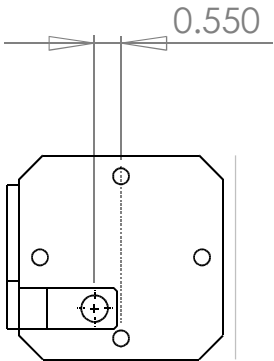
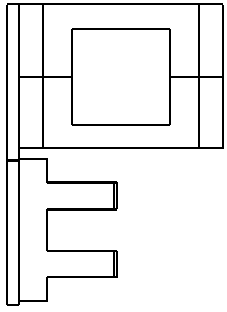
DRAWN NAME MRB DATE 2009.02.09

simcraftTM

UNLESS OTHERWISE SPECIFIED
DIMENSIONS ARE IN INCHES
Tolerances on:
2 Decimals 0.010
3Decimals 0.005
Angles 0.5deg
Surface finish 63 or better
remove burrs and break sharp edges

**1705 Enterprise Way
Suite 102
Marietta, GA 30067**

877.SimCraft (746.2723)
SimCraft.com



SC precision mount

9100032

9100011

Title Actuator Bracket Alternate

DWG # 9100030

Material Mainly 6061-T6 Aluminum

Size Varies

Scale 1:4

DRAWN NAME MRB DATE 2009.02.09

simcraftTM

1705 Enterprise Way
Suite 102
Marietta, GA 30067

UNLESS OTHERWISE SPECIFIED
DIMENSIONS ARE IN INCHES
Tolerances on:
2 Decimals 0.010
3Decimals 0.005
Angles 0.5deg
Surface finish 63 or better
remove burrs and break sharp edges

877.SimCraft (746.2723)
SimCraft.com



Confidential and Proprietary NOT TO BE REPRODUCED OR USED IN ANY MANNER OTHER THAN WITH EXPRESSED WRITTEN PERMISSION