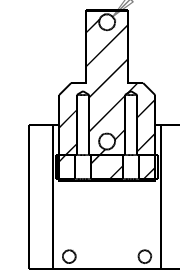


2X ϕ .332 THRU ALL

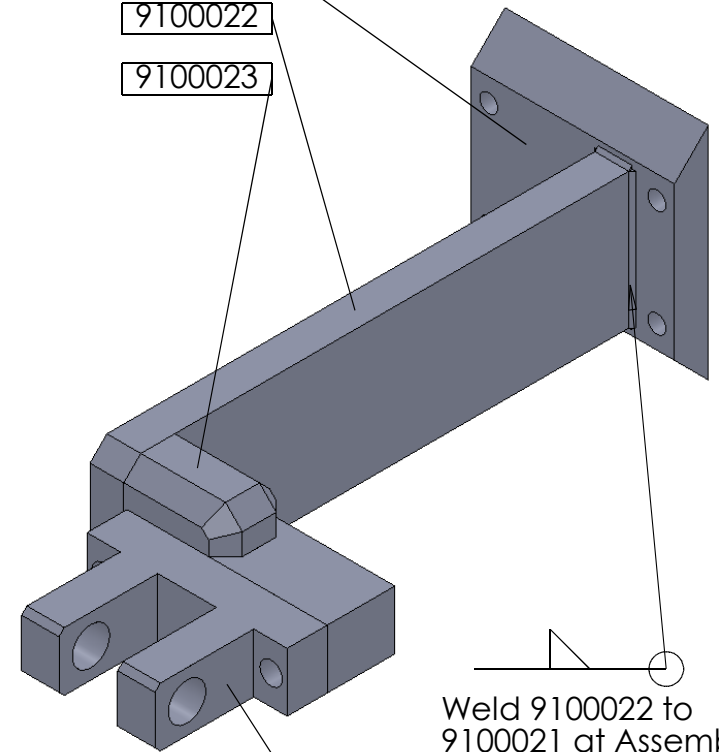


SECTION B-B

9100021

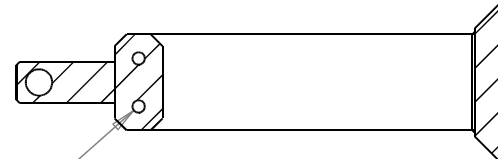
9100022

9100023



Weld 9100022 to 9100021 at Assembly

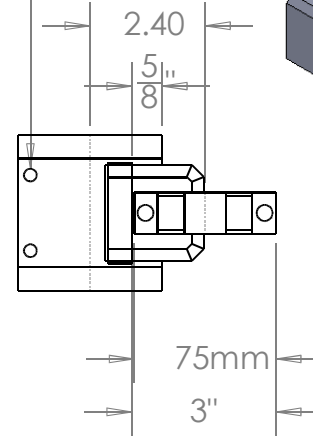
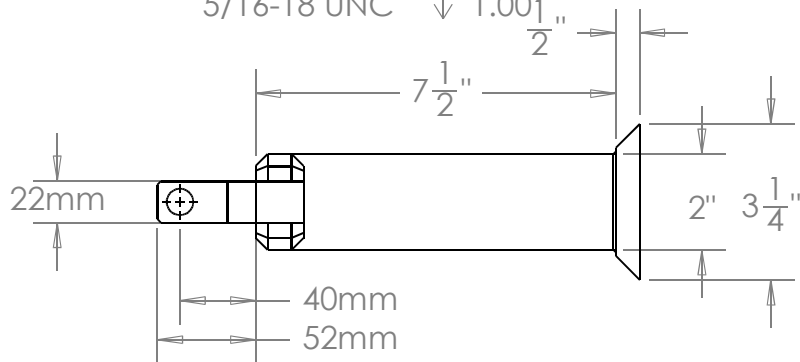
SC precision mount



SECTION A-A

4X ϕ .266 THRU ALL

2X ϕ .257 ∇ 1.25
5/16-18 UNC ∇ 1.00 $\frac{1}{2}$ "



Title Roll Actuator Knuckle Assy

DWG # 9100020

Material Mainly 6061-T6 Aluminium

Size Varies

Scale 1:4

DRAWN NAME MRB DATE 2008.11.17

simcraftTM

UNLESS OTHERWISE SPECIFIED
DIMENSIONS ARE IN INCHES
Tolerances on:
2 Decimals 3Decimals Angles
0.010 0.005 0.5deg
Surface finish 63/ or better
remove burrs and break sharp edges

**1705 Enterprise Way
Suite 102
Marietta, GA 30067**

877.SimCraft (746.2723)
SimCraft.com

Confidential and Proprietary NOT TO BE REPRODUCED OR USED IN ANY MANNER OTHER THAN WITH EXPRESSED WRITTEN PERMISSION