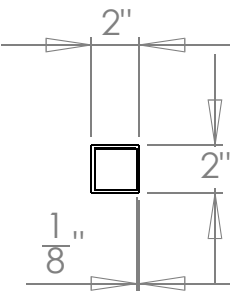
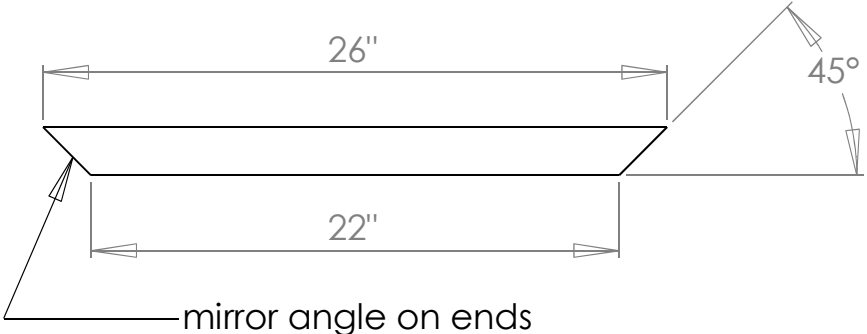
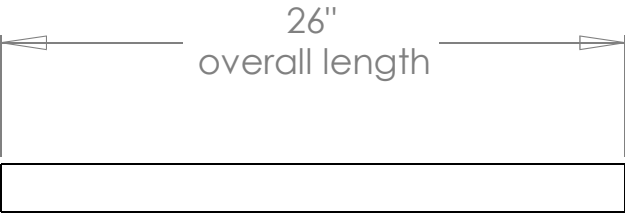
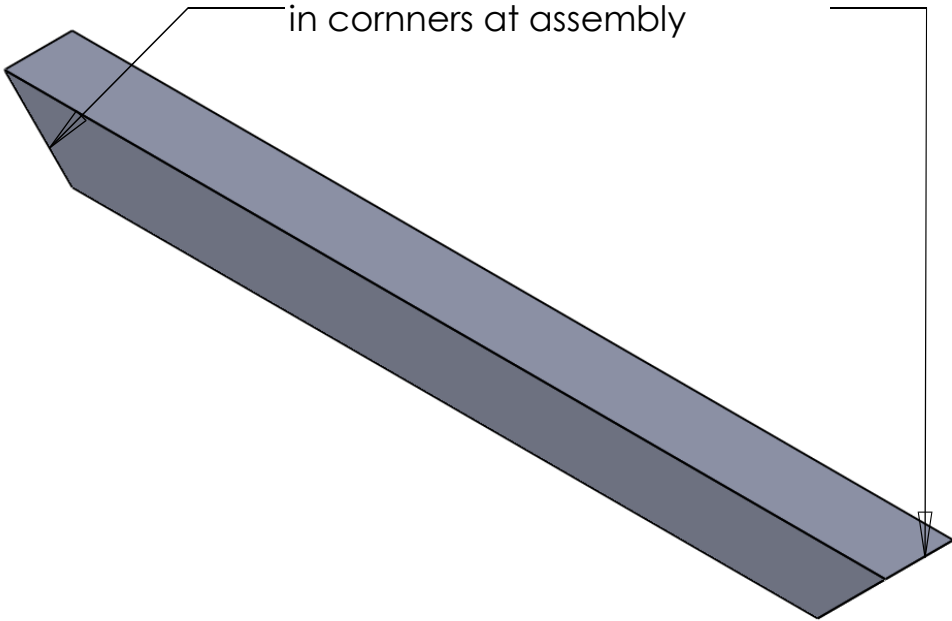


Weld to 9500911 Base End Tube
in corners at assembly



Title Base End 45 Brace

DWG # 9500913

Material 6061-T6 Aluminum Tube
Size 2" Square 0.125" Wall
Scale 1:8

DRAWN NAME MRB DATE 2009.02.09

simcraftTM



UNLESS OTHERWISE SPECIFIED
DIMENSIONS ARE IN INCHES
Tolerances on:
2 Decimals 0.010
3 Decimals 0.005
Angles 0.5deg
Surface finish 63 or better
remove burrs and break sharp edges

**1705 Enterprise Way
Suite 102
Marietta, GA 30067**

877.SimCraft (746.2723)
www.SimCraft.com