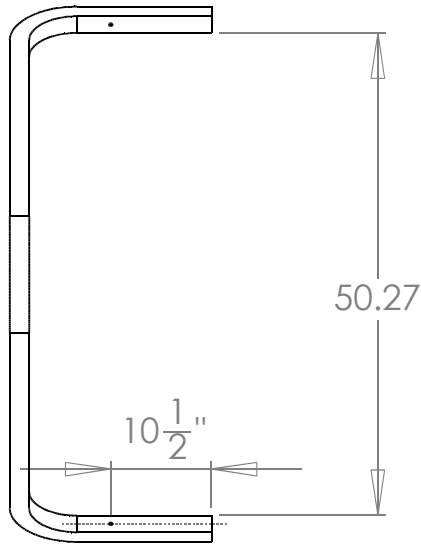


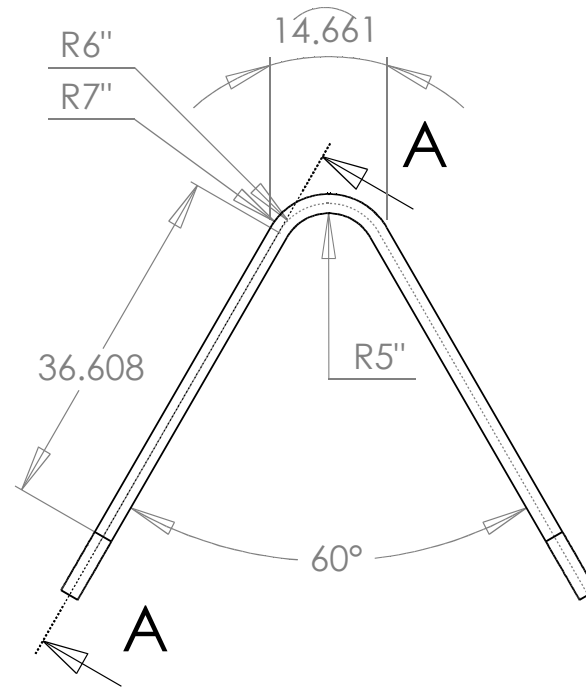
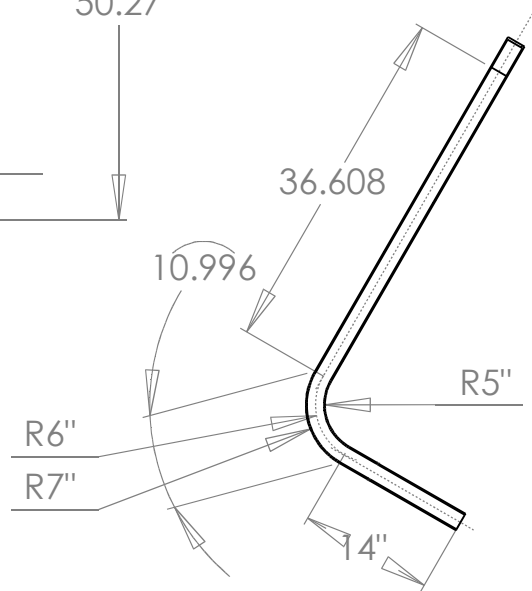
REVISIONS

REV.	DESCRIPTION	Made By	DATE
A	Updated length and height dimensions	SPM	2010.01.15

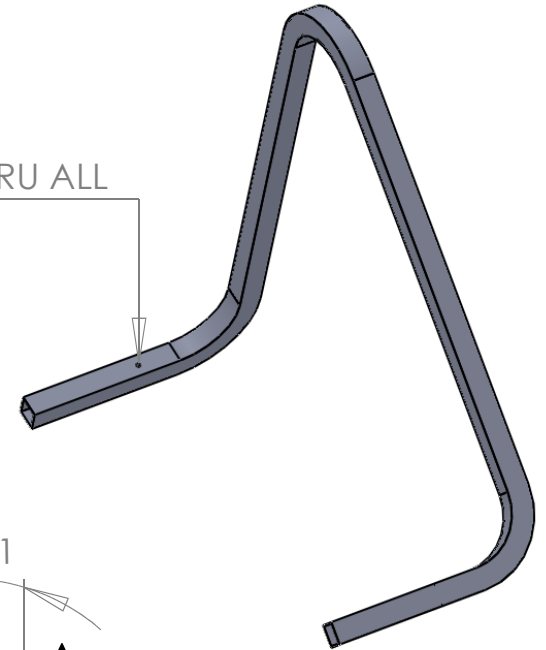
Unbent length of at least 148"
and cut to size after bend



SECTION A-A



Ø 0.332 THRU ALL



Title Base End Tube

DWG # 9500911

Material 6061-T6 Aluminum Tube
Size 2" Square 0.125" Wall
Scale 1:20

DRAWN NAME: MRB DATE: 2009.02.09

simcraftTM

UNLESS OTHERWISE SPECIFIED
DIMENSIONS ARE IN INCHES
Tolerances on:
2 Decimals 3Decimals Angles
0.010 0.005 0.5deg
Surface finish 63 or better
remove burrs and break sharp edges

**1705 Enterprise Way
Suite 102
Marietta, GA 30067**

877.SimCraft (746.2723)
SimCraft.com