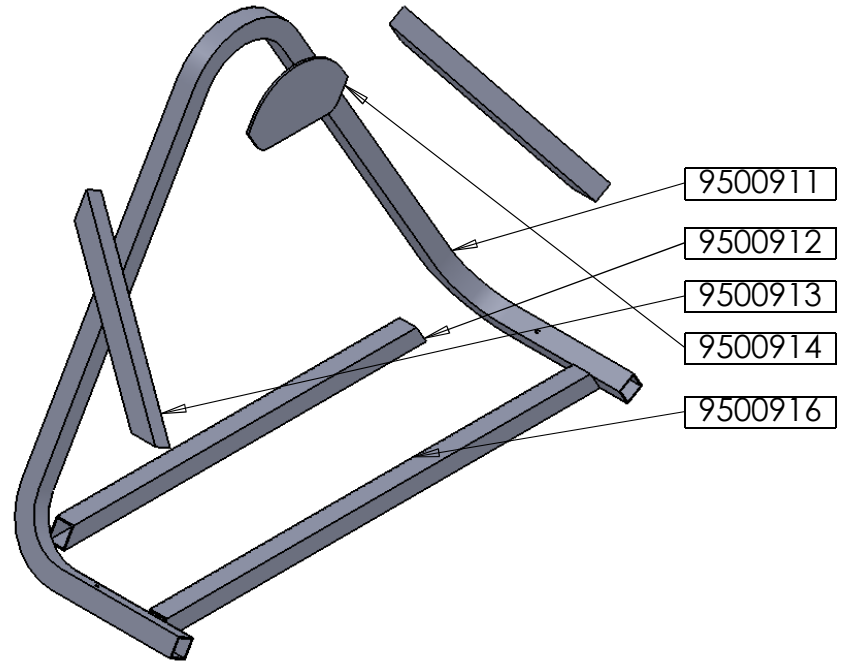
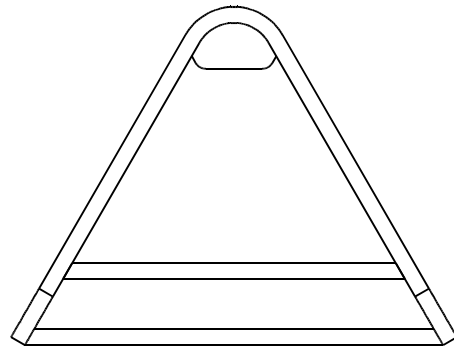
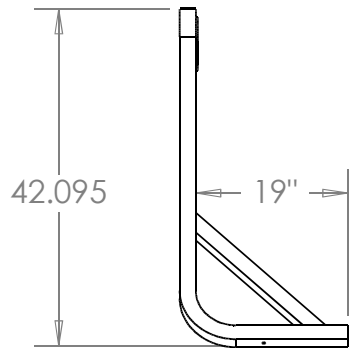
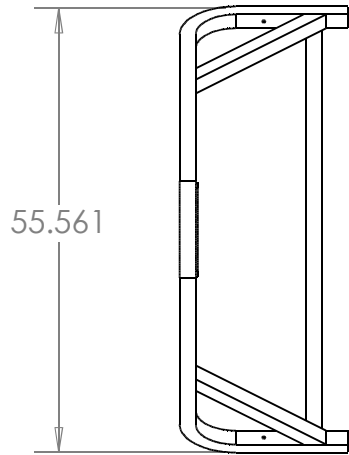


REVISIONS

REV.	DESCRIPTION	Made By	DATE
A	Updated length and height dimensions	SPM	2010.01.15



Title Base End Assy

DWG # 9500910

Material Mainly 6061-T6 Aluminum

Size Varies

Scale 1:24

DRAWN NAME MRB DATE 2009.02.09

simcraftTM

UNLESS OTHERWISE SPECIFIED
DIMENSIONS ARE IN INCHES

Tolerances on:

2 Decimals	3Decimals	Angles
0.010	0.005	0.5deg

Surface finish 63/ or better
remove burrs and break sharp edges

**1705 Enterprise Way
Suite 102
Marietta, GA 30067**

877.SimCraft (746.2723)
SimCraft.com