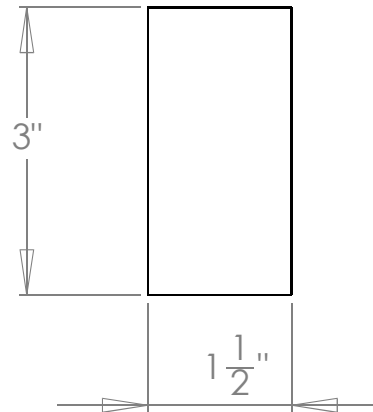
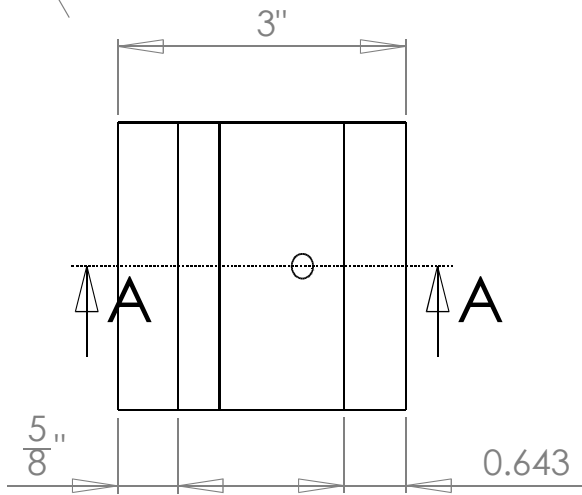
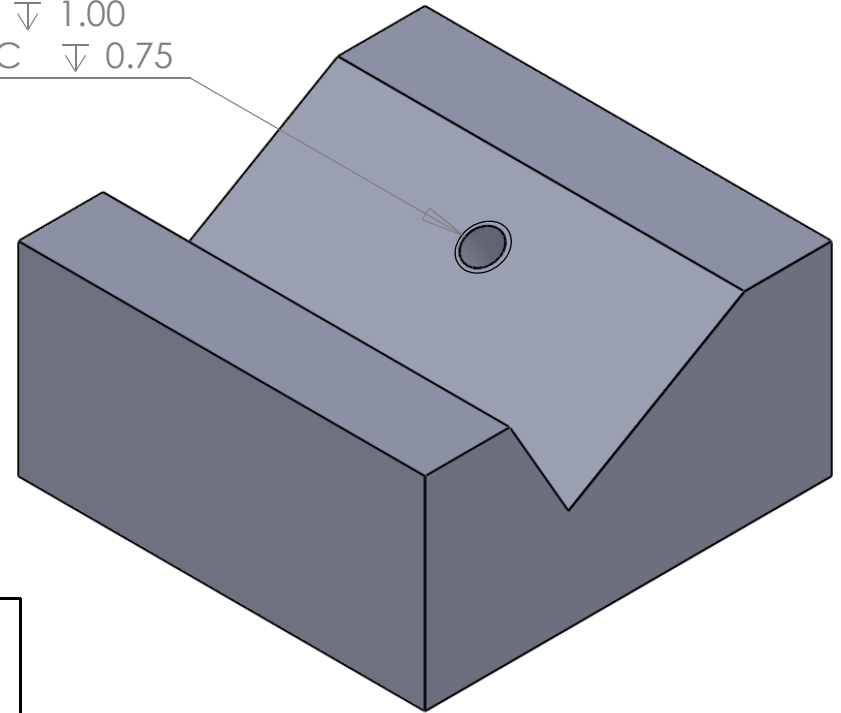


SECTION A-A

$\phi$  0.257  $\nabla$  1.00  
5/16-18 UNC  $\nabla$  0.75



**Title** Base Stand Foot Block

**DWG #** 9500901

**Material** 6061-T6 Aluminum  
**Size** 3" X 3" x 1.5" Block  
**Scale** 1:2

**DRAWN** NAME MRB DATE 2009.02.09

**simcraft**<sup>TM</sup>

UNLESS OTHERWISE SPECIFIED  
DIMENSIONS ARE IN INCHES  
Tolerances on:  
2 Decimals 3Decimals Angles  
0.010 0.005 0.5deg  
Surface finish 63 or better  
remove burrs and break sharp edges

**1705 Enterprise Way  
Suite 102  
Marietta, GA 30067**

877.SimCraft (746.2723)  
[www.SimCraft.com](http://www.SimCraft.com)