

Title Yaw Pitch Brace

DWG # 9500241

Material 6061-T6 Aluminum Block
Size 4" X 6" X 1" Block
 Scale 1:2

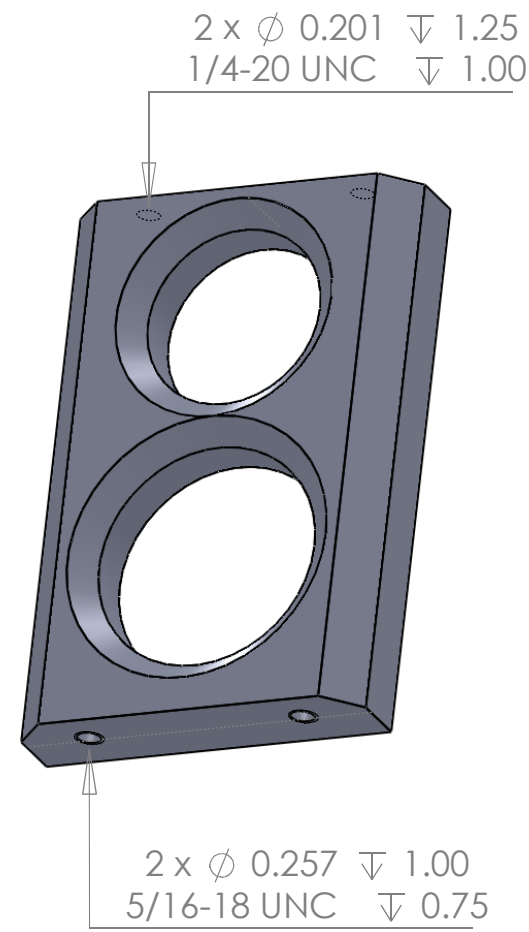
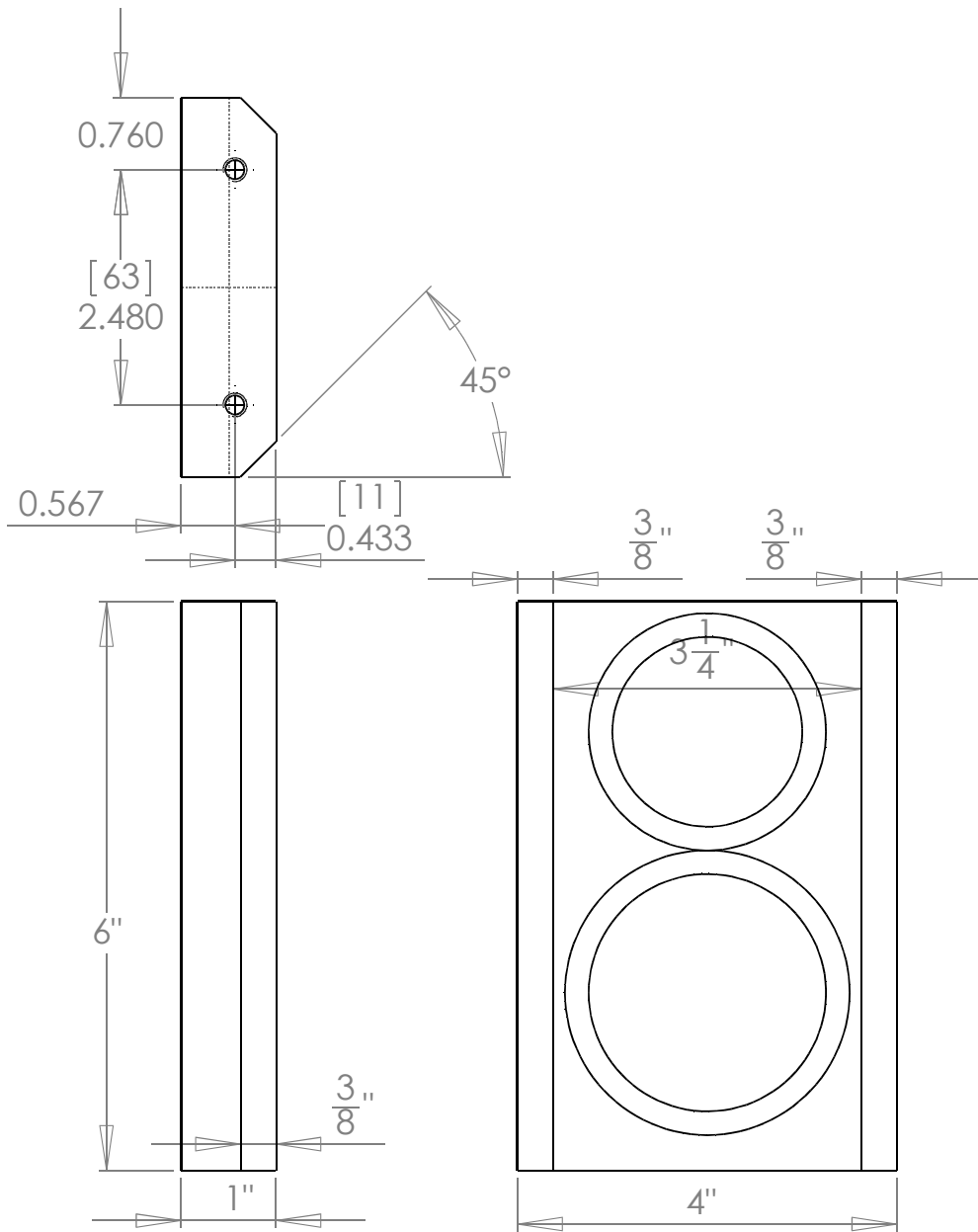
DRAWN NAME MRB DATE 2009.02.09

simcraftTM

UNLESS OTHERWISE SPECIFIED
 DIMENSIONS ARE IN INCHES
 Tolerances on:
 2 Decimals 3Decimals Angles
 0.010 0.005 0.5deg
 Surface finish 63 or better
 remove burrs and break sharp edges

**1705 Enterprise Way
 Suite 102
 Marietta, GA 30067**

877.SimCraft (746.2723)
 SimCraft.com



Title Yaw Pitch Brace

DWG # 9500241.B

Material 6061-T6 Aluminum Block

Size 4" X 6" X 1" Block

Scale 1:2

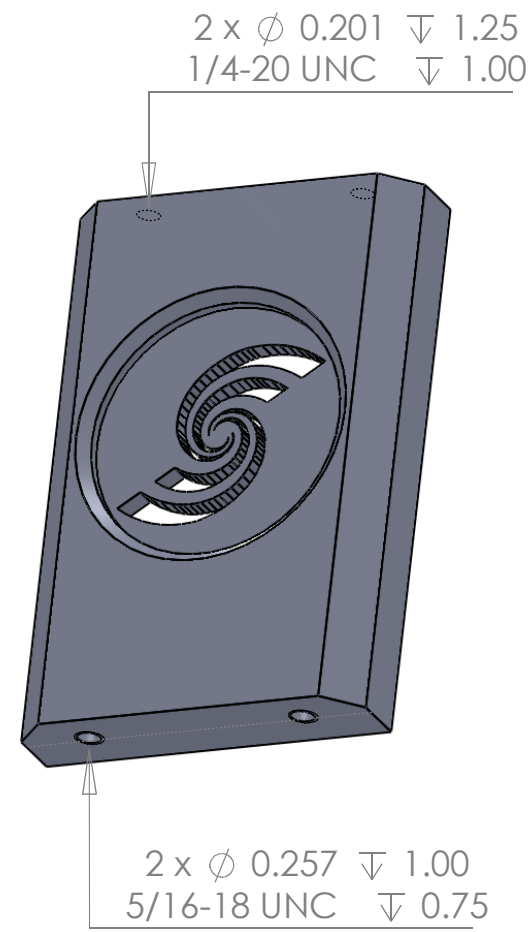
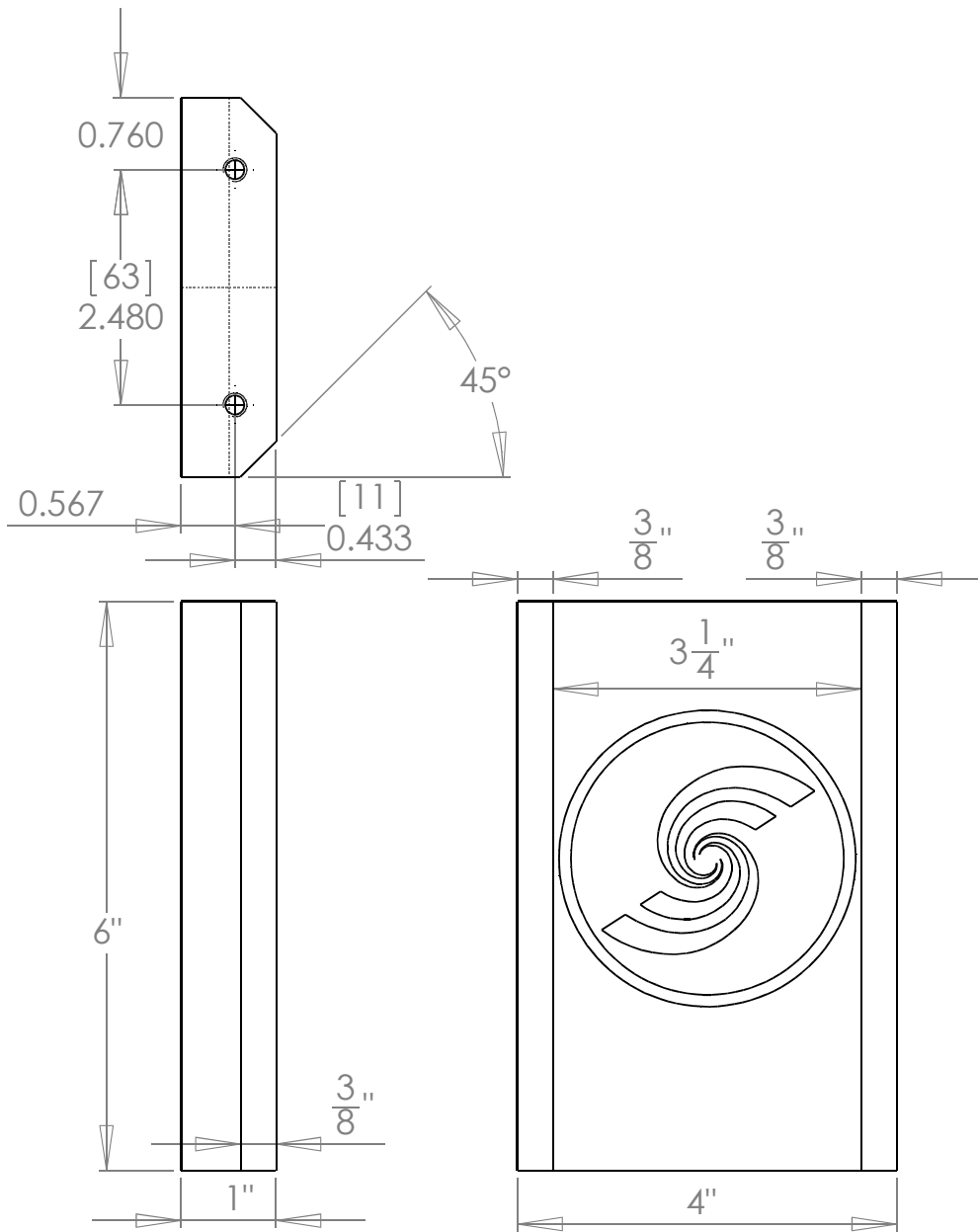
DRAWN NAME MRB DATE 2009.02.09

simcraftTM

UNLESS OTHERWISE SPECIFIED
DIMENSIONS ARE IN INCHES
Tolerances on:
2 Decimals 3Decimals Angles
0.010 0.005 0.5deg
Surface finish 63 or better
remove burrs and break sharp edges

**1705 Enterprise Way
Suite 102
Marietta, GA 30067**

877.SimCraft (746.2723)
SimCraft.com



Title Yaw Pitch Brace

DWG # 9500241.SC

Material 6061-T6 Aluminum Block

Size 4" X 6" X 1" Block

Scale 1:2

DRAWN NAME MRB DATE 2009.02.09

simcraftTM

UNLESS OTHERWISE SPECIFIED
DIMENSIONS ARE IN INCHES
Tolerances on:
2 Decimals 3Decimals Angles
0.010 0.005 0.5deg
Surface finish 63 or better
remove burrs and break sharp edges

**1705 Enterprise Way
Suite 102
Marietta, GA 30067**

877.SimCraft (746.2723)
SimCraft.com