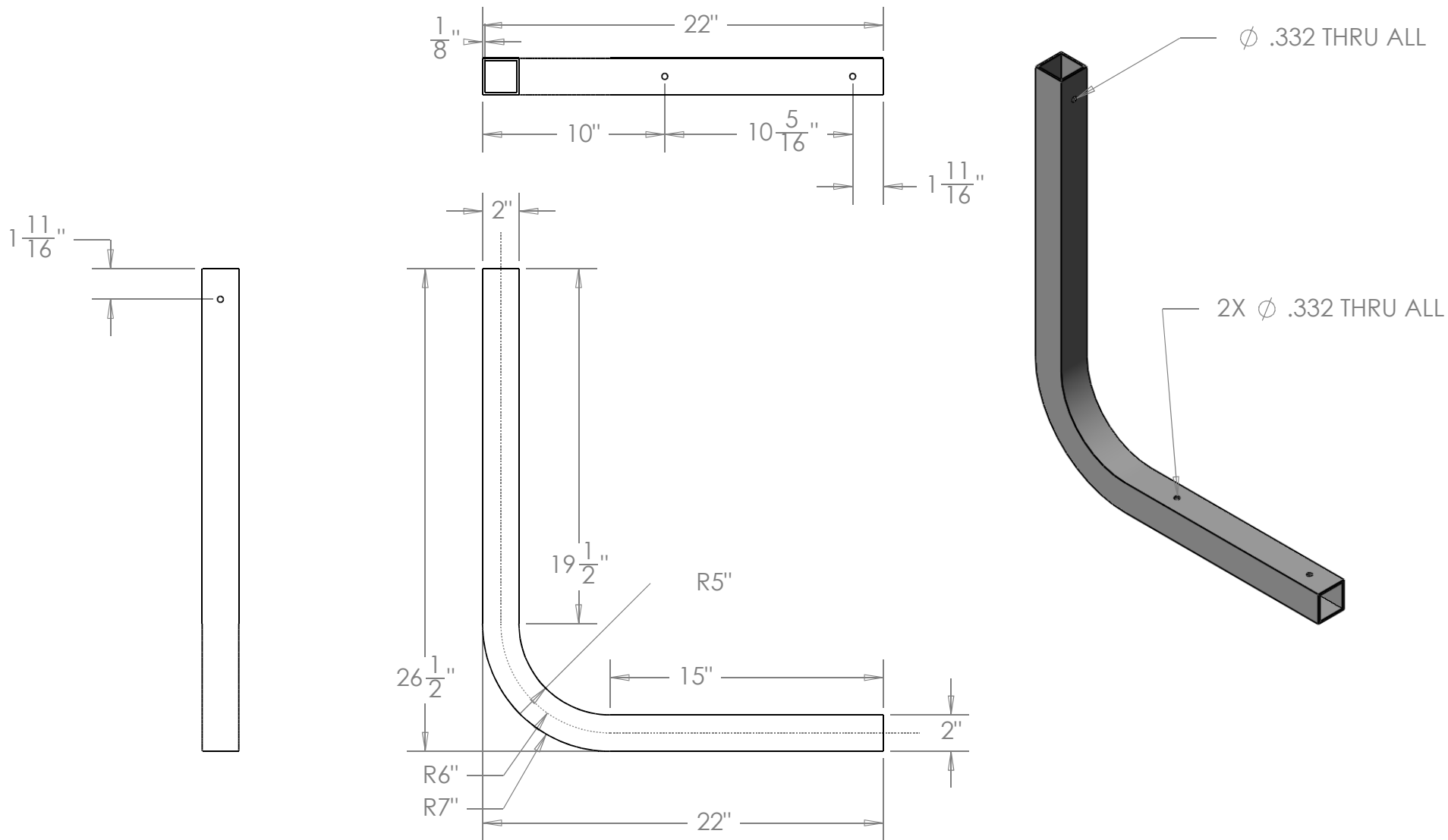


REVISIONS

REV.	DESCRIPTION	Made By	DATE
A	Updated length and height dimensions	SPM	2010.01.15



Title Yaw Frame Tube

DWG # 9500221

Material 6061-T6 Aluminum Tube
Size 2" Square 0.125" Wall
Scale 1:8

DRAWN NAME: MRB DATE: 2008.11.17

simcraftTM

UNLESS OTHERWISE SPECIFIED
 DIMENSIONS ARE IN INCHES
 Tolerances on:
 2 Decimals 0.010 3Decimals 0.005 Angles 0.5deg
 Surface finish 63/ or better
 remove burrs and break sharp edges

**1705 Enterprise Way
 Suite 102
 Marietta, GA 30067**

877.SimCraft (746.2723)
 SimCraft.com