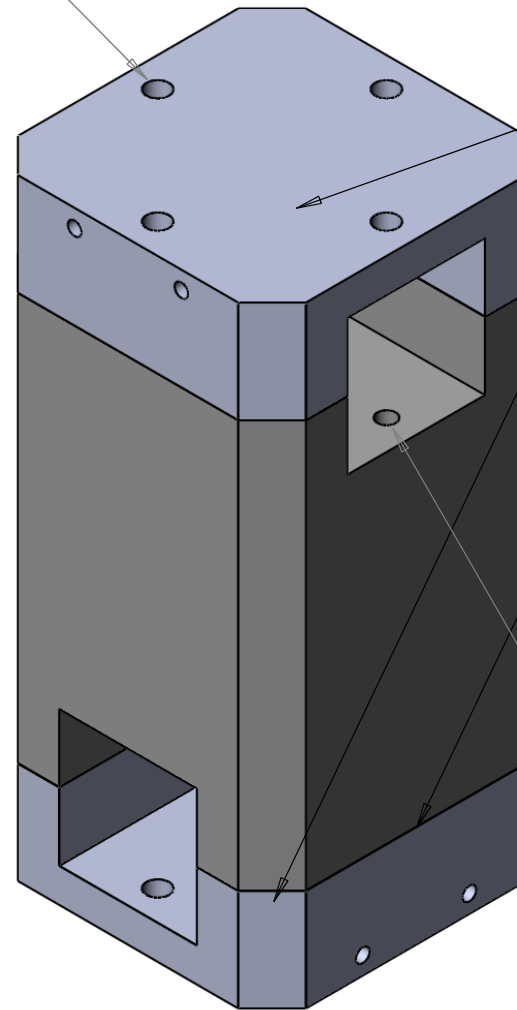
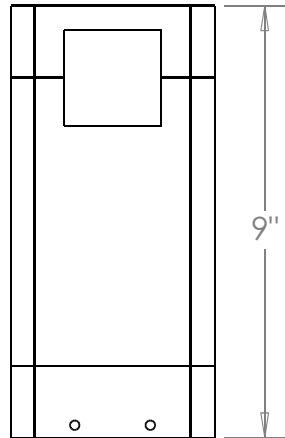
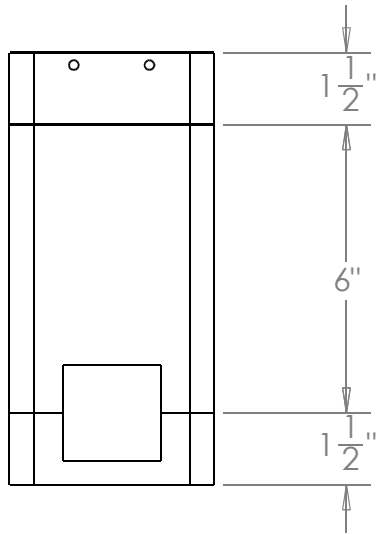
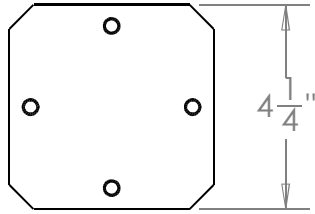


4X  $\phi$  .332 THRU ALL



9100011

9100011

9100211

4X  $\phi$  .27  $\nabla$  1.75  
5/16-24 UNF  $\nabla$  1.50

**Title** Yaw Static Brace Assy

**DWG #** 9500210.2DOF

**Material** Mainly 6061-T6 Aluminum

**Size** Varies

**Scale** 1:4

**DRAWN** NAME MRB DATE 2008.11.17

**simcraft**<sup>TM</sup>

UNLESS OTHERWISE SPECIFIED  
DIMENSIONS ARE IN INCHES

Tolerances on:

2 Decimals	3Decimals	Angles
0.010	0.005	0.5deg

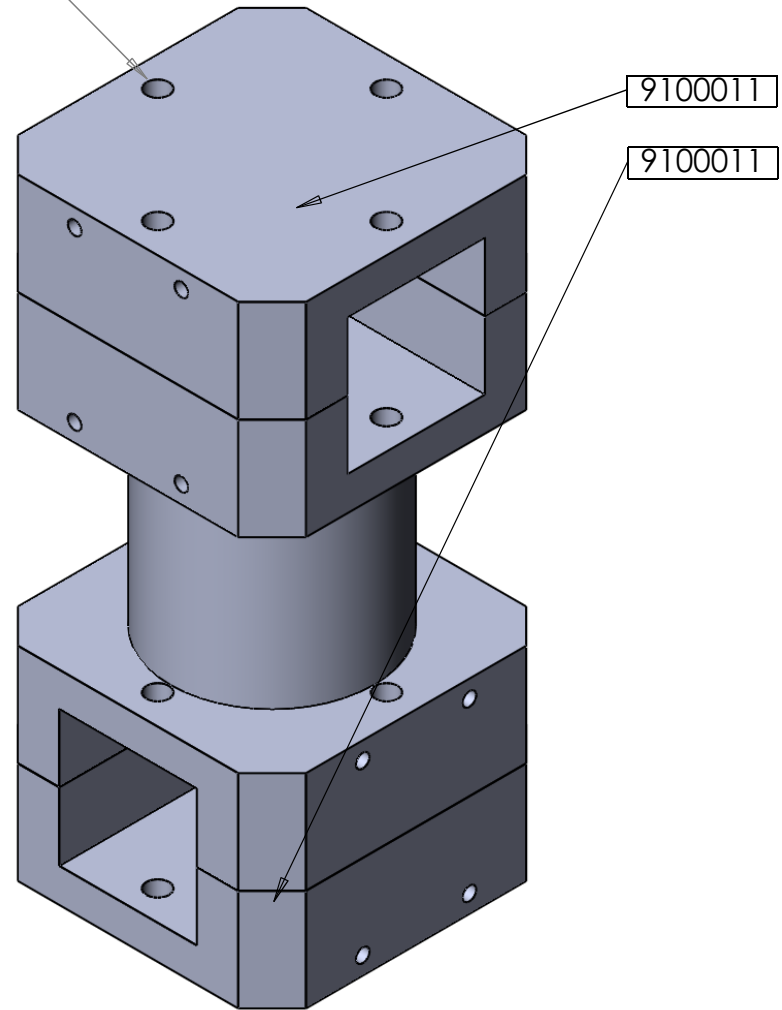
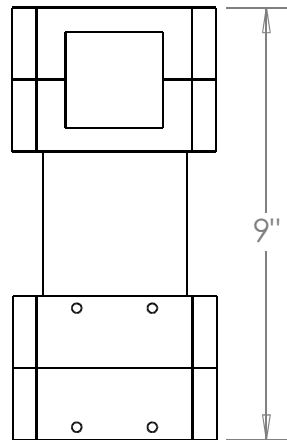
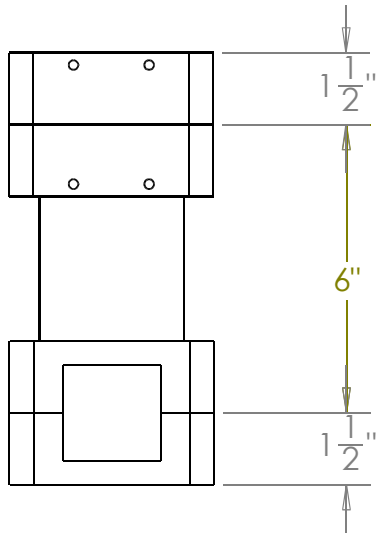
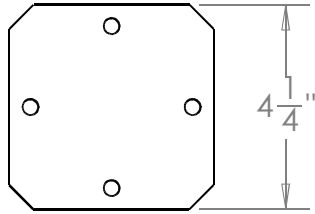
Surface finish 63 or better  
remove burrs and break sharp edges

**1705 Enterprise Way  
Suite 102  
Marietta, GA 30067**

877.SimCraft (746.2723)  
[www.SimCraft.com](http://www.SimCraft.com)



4X  $\phi$  .332 THRU ALL



**Title** Yaw Knuckle Bracket Assy

**DWG #** 9500210.3DOF

**Material** Mainly 6061-T6 Aluminum

**Size** Varies

**Scale** 1:4

**DRAWN** NAME MRB DATE 2008.11.17

**simcraft**<sup>TM</sup>

UNLESS OTHERWISE SPECIFIED  
DIMENSIONS ARE IN INCHES

Tolerances on:

2 Decimals	3Decimals	Angles
0.010	0.005	0.5deg

Surface finish 63 or better  
remove burrs and break sharp edges

**1705 Enterprise Way  
Suite 102  
Marietta, GA 30067**

877.SimCraft (746.2723)  
[www.SimCraft.com](http://www.SimCraft.com)

**Confidential and Proprietary** NOT TO BE REPRODUCED OR USED IN ANY MANNER OTHER THAN WITH EXPRESSED WRITTEN PERMISSION