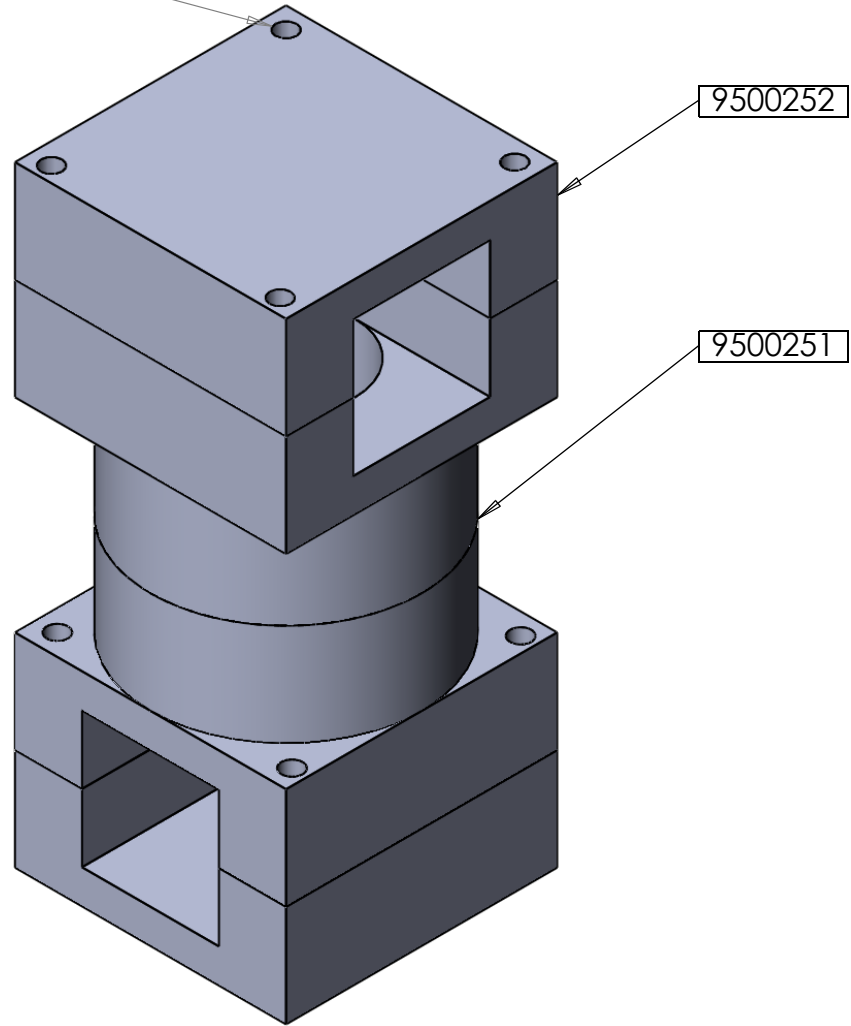
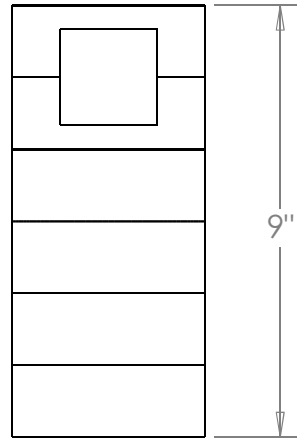
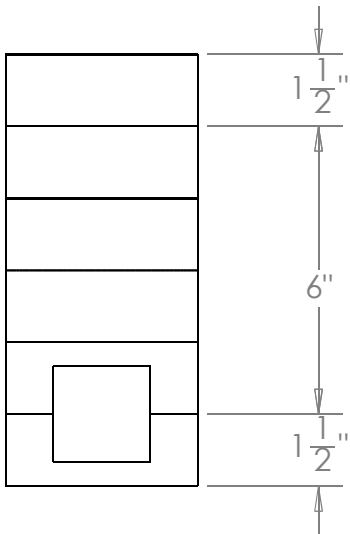
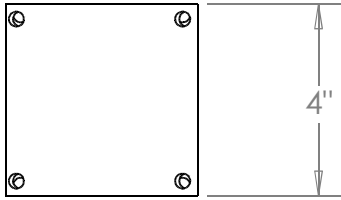


4X  $\phi \frac{5}{16}$ " THRU ALL



**Title** Yaw Knuckle Bracket Assy

**DWG #** 9500210.3DOF

**Material** Mainly 6061-T6 Aluminum

**Size** Varies

**Scale** 1:4

**DRAWN** NAME MRB DATE 2008.11.17

**simcraft**<sup>TM</sup>

UNLESS OTHERWISE SPECIFIED  
DIMENSIONS ARE IN INCHES  
Tolerances on:  
2 Decimals 3Decimals Angles  
0.010 0.005 0.5deg  
Surface finish 63 or better  
remove burrs and break sharp edges

**1705 Enterprise Way  
Suite 102  
Marietta, GA 30067**

877.SimCraft (746.2723)  
**SimCraft.com**

