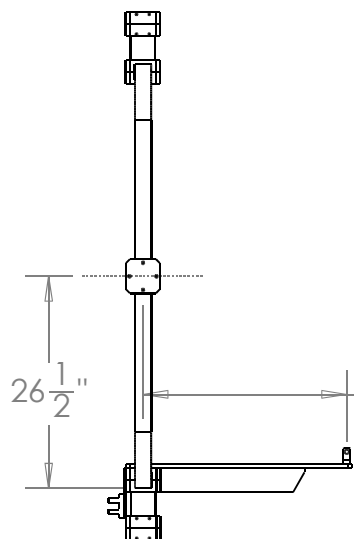
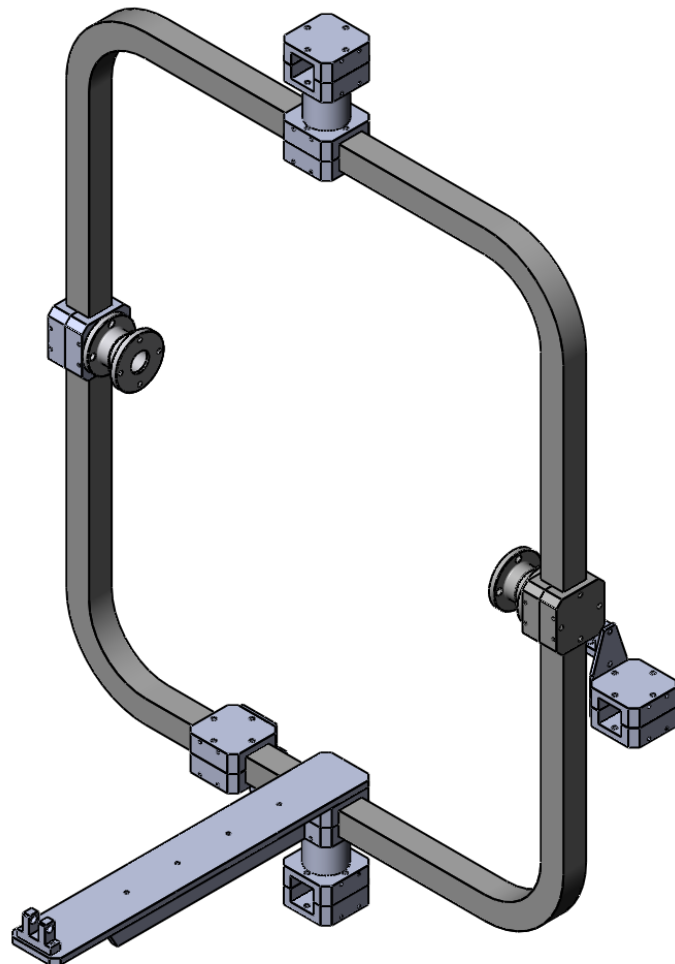
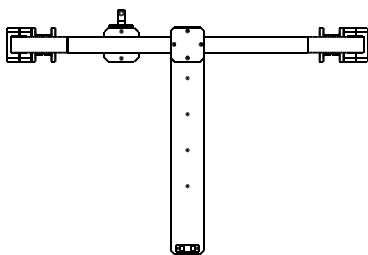
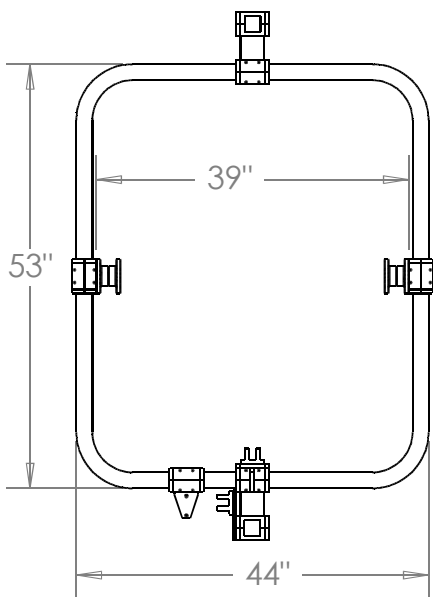


REVISIONS

REV.	DESCRIPTION	Made By	DATE
A	Updated length and height dimensions and added top frame	SPM	2010.01.15



[646.62]  
25.46



**Title** Yaw Frame Assy 3DOF

**DWG #** 9500200.3DOF

**Material** Mainly 6061-T6 Aluminum  
**Size** Varies  
**Scale** 1:24

**DRAWN** NAME: MRB DATE: 2009.02.09

**simcraft**<sup>TM</sup>

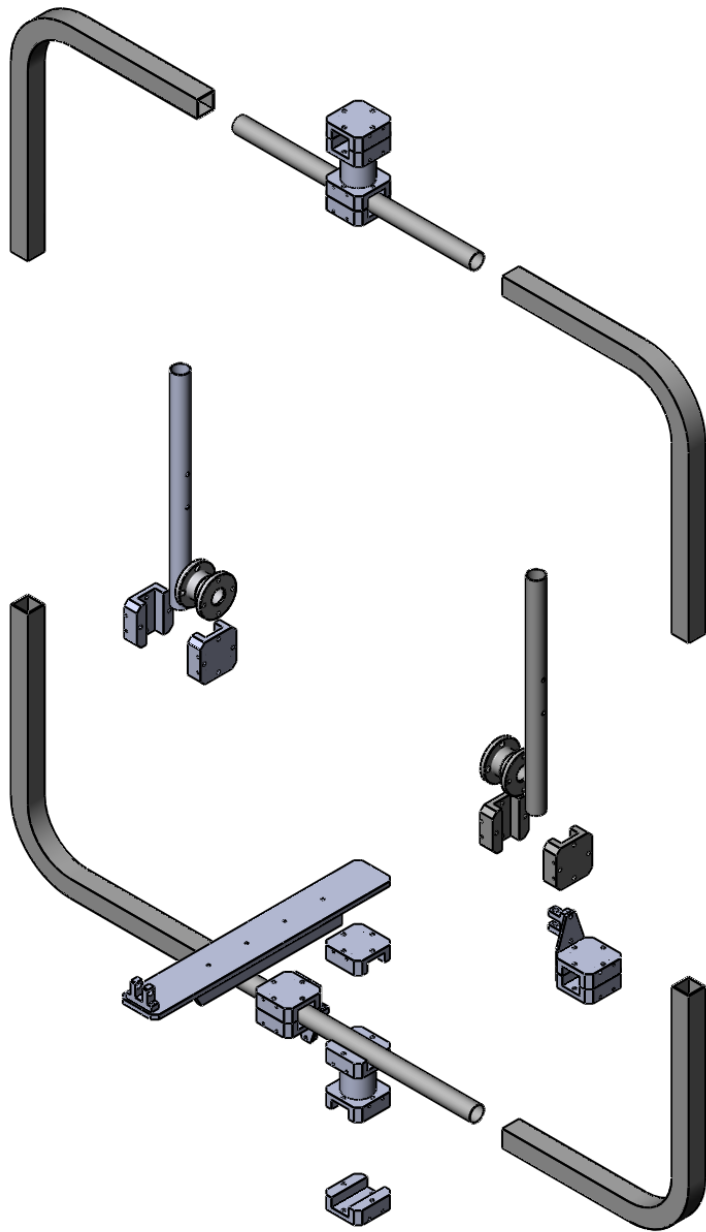
UNLESS OTHERWISE SPECIFIED  
DIMENSIONS ARE IN INCHES  
Tolerances on:  
2 Decimals 0.010  
3Decimals 0.005  
Angles 0.5deg  
Surface finish 63/ or better  
remove burrs and break sharp edges

1705 Enterprise Way  
Suite 102  
Marietta, GA 30067

877.SimCraft (746.2723)  
SimCraft.com



**Confidential and Proprietary** NOT TO BE REPRODUCED OR USED IN ANY MANNER OTHER THAN WITH EXPRESSED WRITTEN PERMISSION



Item	PartNo	DESCRIPTION	QTY.	Material	StockSize
1	9100030	Actuator Bracket	2	Mainly 6061-T6 Aluminum	Varies
1.1	9100011	Knuckle Bracket	2	6061-T6 Aluminum Block	4.25" X 1.5" Block
1.2	9100031	Actuator Pivot Mount Plate	1	6061-T6 Aluminum Plate	6.25" X 3" X 0.25"Thick
1.3	9101003-W22	SC Precision Mount Base	1		
2	9500210.3DOF	Yaw Knuckle Bracket Assy	2	Mainly 6061-T6 Aluminum	Varies
2.1	9100011	Knuckle Bracket	4	6061-T6 Aluminum Block	4.25" X 1.5" Block
2.2	9500290	Yaw Knuckle Assy	1	Mainly 6061-T6 Aluminum	Varies
3	9500220	Yaw Frame Tube Assy	1	Mainly 6061-T6 Aluminum	Varies
3.1	9100010	Knuckle Bracket Plug ASSY	2	Mainly 6061-T6 Aluminum	fits 2"Square 0.125"Wall
3.1.1	9300010	Knuckle Bracket Assy	1	6061-T6 Aluminum Block	4.25" X 1.5" Block
3.1.1.1	9100011	Knuckle Bracket	2	6061-T6 Aluminum Block	4.25" X 1.5" Block
3.1.2	9100014	Plug Tube - LONG	1	2024-T3 Aluminum Tube	1.732"OD 0.058"Wall
3.2	9500221	Yaw Frame Tube	2	6061-T6 Aluminum Tube	2"Square 0.125"Wall
3.3	9500225	Yaw Frame Insert	1	2024-T3 Aluminum Tube	1.732"OD 0.058"Wall
4	9500230	Yaw Pitch Actuator Mount Assy	1	Mainly 6061-T6 Aluminum	Varies
4.1	9500231	Pitch Actuator Bar	1	6061-T6 Aluminum Plate	4.25" X 26.25" X 0.5"Thick
4.2	9500232	Pitch Actuator Bar Gusset	1	6061-T6 Aluminum Plate	18" x 3" x 0.5"Thick
4.3	9101001-W22	SC Precision Mount Base	1		
6	9500220	Yaw Frame Tube Assy	1	Mainly 6061-T6 Aluminum	Varies
6.1	9500221	Yaw Frame Tube	2	6061-T6 Aluminum Tube	2"Square 0.125"Wall
6.2	9500225	Yaw Frame Insert	1	2024-T3 Aluminum Tube	1.732"OD 0.058"Wall

**Title** Yaw Frame Assy 3DOF

**DWG #** 9500200.3DOF

**Material** Mainly 6061-T6 Aluminum

**Size** Varies

**Scale** 1:16

**DRAWN** NAME MRB DATE 2009.02.09

**simcraft**<sup>TM</sup>

UNLESS OTHERWISE SPECIFIED  
DIMENSIONS ARE IN INCHES  
Tolerances on:  
2 Decimals 0.010 3Decimals 0.005 Angles 0.5deg  
Surface finish 63/ or better  
remove burrs and break sharp edges

**1705 Enterprise Way  
Suite 102  
Marietta, GA 30067**

877.SimCraft (746.2723)  
**SimCraft.com**

**Confidential and Proprietary** NOT TO BE REPRODUCED OR USED IN ANY MANNER OTHER THAN WITH EXPRESSED WRITTEN PERMISSION