

Title Yaw Frame Assy 2DOF

DWG # 9500200.2DOF

Material Mainly 6061-T6 Aluminum

Size Varies

Scale 1:12

DRAWN NAME: MRB DATE: 2009.02.09

simcraftTM

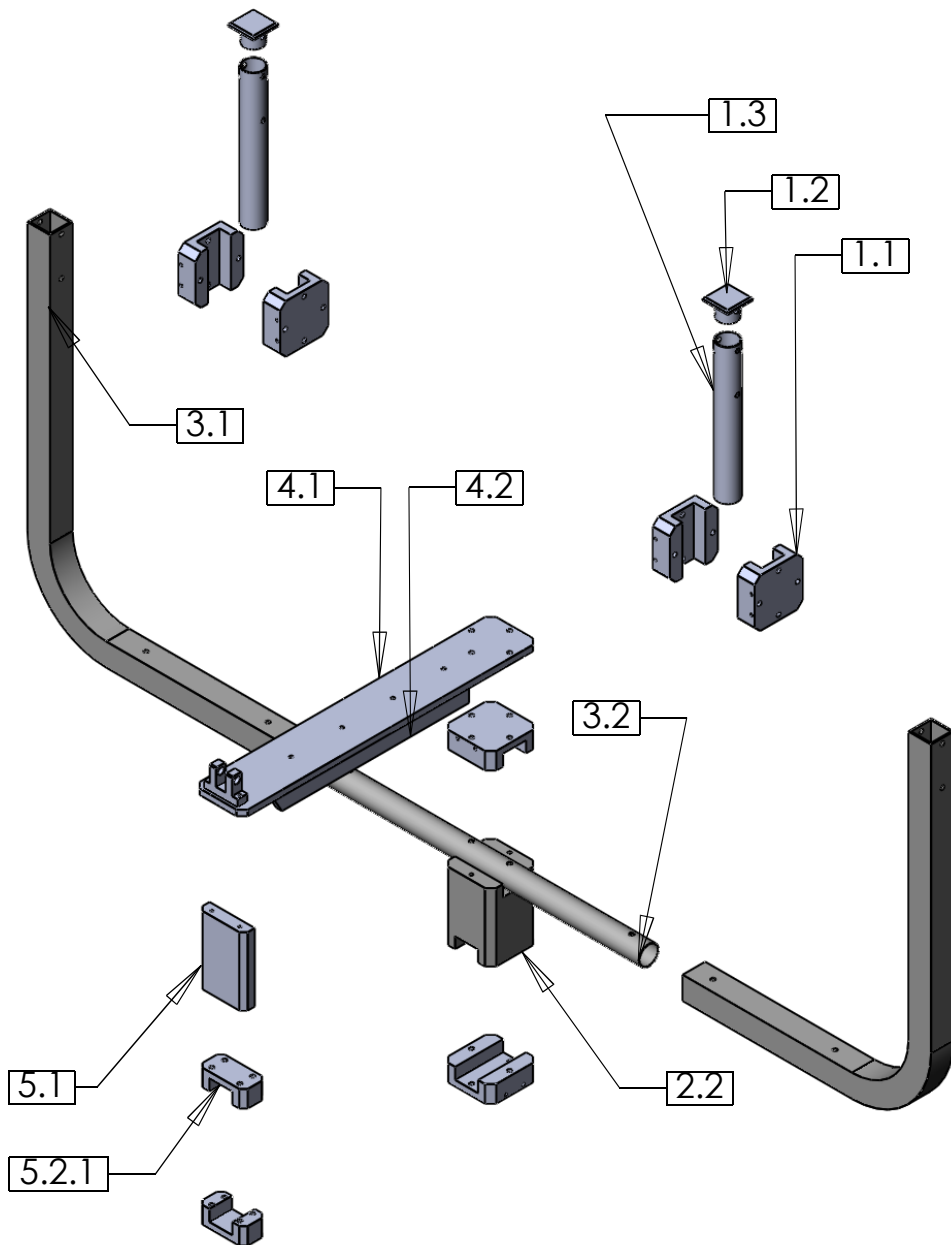
UNLESS OTHERWISE SPECIFIED
DIMENSIONS ARE IN INCHES
Tolerances on:
2 Decimals 0.010
3Decimals 0.005
Angles 0.5deg
Surface finish 63 or better
remove burrs and break sharp edges

**1705 Enterprise Way
Suite 102
Marietta, GA 30067**

877.SimCraft (746.2723)
SimCraft.com



Confidential and Proprietary NOT TO BE REPRODUCED OR USED IN ANY MANNER OTHER THAN WITH EXPRESSED WRITTEN PERMISSION



ITEM NO.	PartNo	DESCRIPTION	#	QTY.	Total
1	9100010	Knuckle Bracket Plug ASSY		2	
1.1	9100011	Knuckle Bracket	2X	2	4
1.2	9100012	Plug Tube Cap	2X	1	2
1.3	9100013	Plug Tube	2X	1	2
2	9500210.2DOF	Yaw Static Brace Assy		1	
2.1	9100011	Knuckle Bracket		2	
2.2	9500211	Yaw Spacer Post		1	
3	9500220	Yaw Frame Tube Assy		1	
3.1	9500221	Yaw Frame Tube		2	
3.2	9500225	Yaw Frame Insert		1	
4	9500230	Yaw Pitch Actuator Mount Assy		1	
4.1	9500231	Pitch Actuator Bar		1	
4.2	9500232	Pitch Actuator Bar Gusset		1	
5	9500240	Yaw Pitch Brace Assy		1	
5.1	9500241	Yaw Pitch Brace		1	
5.2	9100040	Frame Bracket Assy		1	
5.2.1	9100041	Frame Bracket		2	

Title Yaw Frame Assy 2DOF

DWG # 9500200.2DOF

Material Mainly 6061-T6 Aluminum

Size Varies

Scale 1:12

DRAWN NAME MRB DATE 2009.02.09

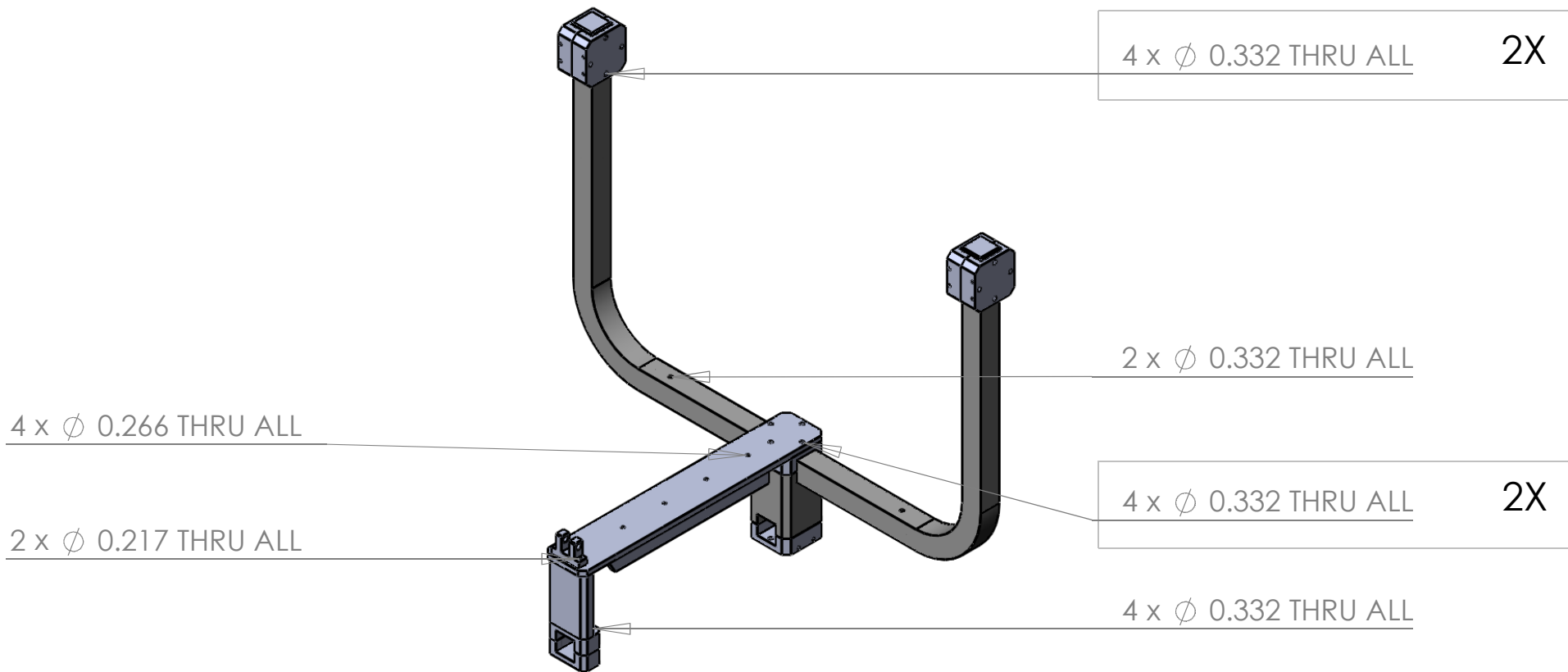
simcraftTM

UNLESS OTHERWISE SPECIFIED
DIMENSIONS ARE IN INCHES
Tolerances on:
2 Decimals 0.010 3Decimals 0.005 Angles 0.5deg
Surface finish 63 or better
remove burrs and break sharp edges

**1705 Enterprise Way
Suite 102
Marietta, GA 30067**

877.SimCraft (746.2723)
SimCraft.com

Confidential and Proprietary NOT TO BE REPRODUCED OR USED IN ANY MANNER OTHER THAN WITH EXPRESSED WRITTEN PERMISSION



Title **Yaw Frame Assy 2DOF**

DWG # **9500200.2DOF**

Material **Mainly 6061-T6 Aluminum**

Size **Varies**

Scale 1:12

DRAWN NAME DATE
MRB 2009.02.09

simcraftTM

UNLESS OTHERWISE SPECIFIED
DIMENSIONS ARE IN INCHES
Tolerances on:
2 Decimals 3Decimals Angles
0.010 0.005 0.5deg
Surface finish 63 or better
remove burrs and break sharp edges

**1705 Enterprise Way
Suite 102
Marietta, GA 30067**

877.SimCraft (746.2723)
SimCraft.com