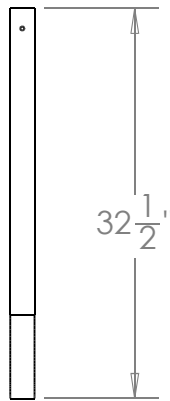
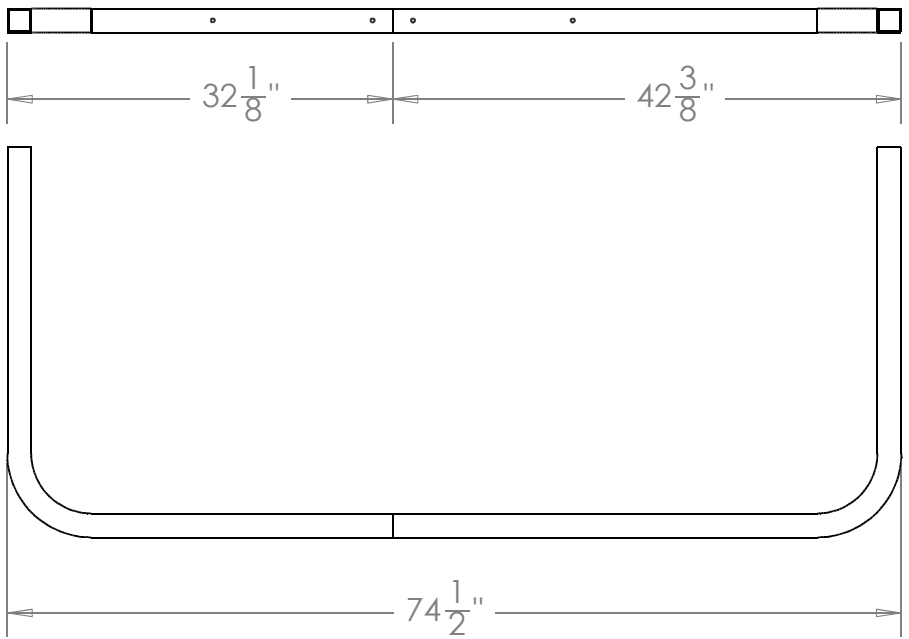
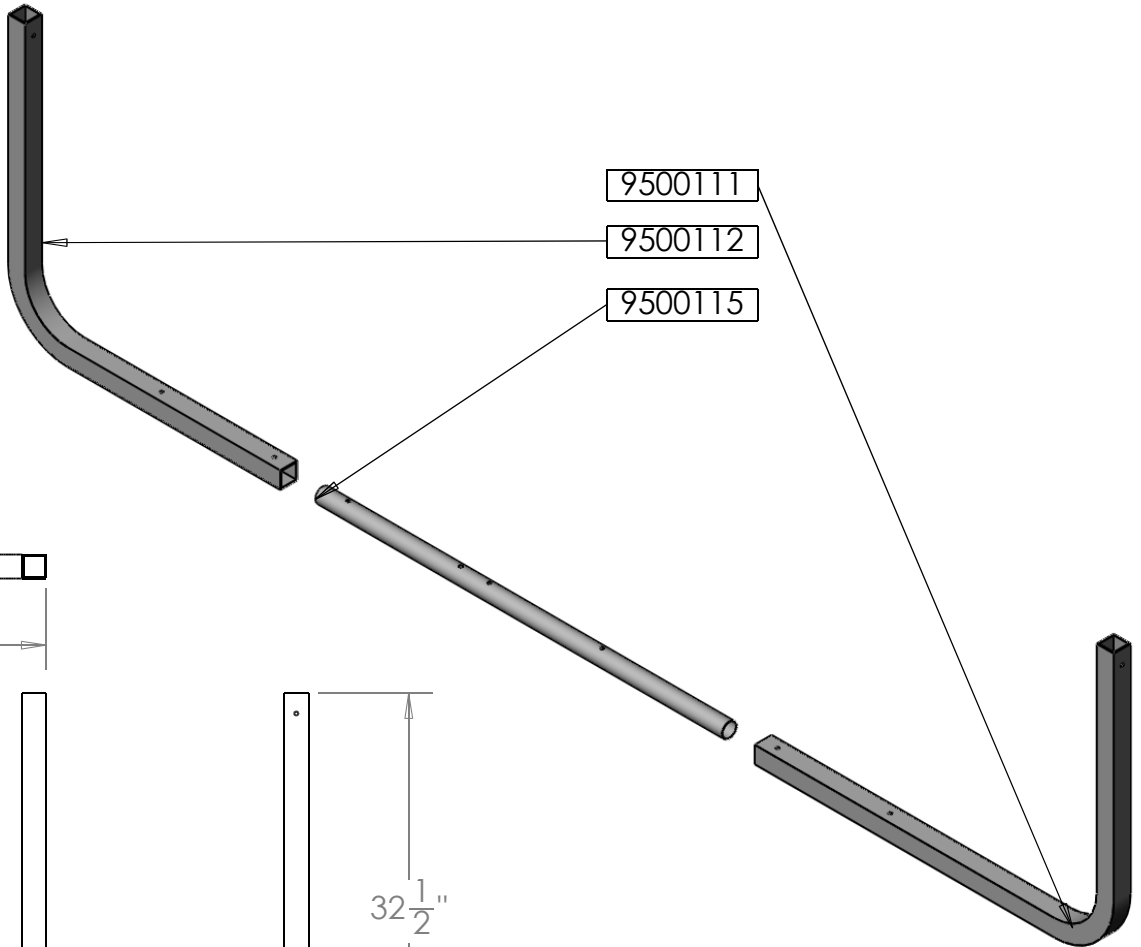


REVISIONS			
REV.	DESCRIPTION	Made By	DATE
A	Updated length and height dimensions	SPM	2010.01.15



**Title** Roll Frame Tube Assy

**DWG #** 9500110

**Material** Mainly 6061-T6 Aluminum  
**Size** Varies  
 Scale 1:16

**DRAWN** NAME MRB DATE 2009.02.09

**simcraft**<sup>TM</sup>

UNLESS OTHERWISE SPECIFIED  
 DIMENSIONS ARE IN INCHES  
 Tolerances on:  
 2 Decimals 3Decimals Angles  
 0.010 0.005 0.5deg  
 Surface finish 63/ or better  
 remove burrs and break sharp edges

**1705 Enterprise Way  
 Suite 102  
 Marietta, GA 30067**

877.SimCraft (746.2723)  
 SimCraft.com