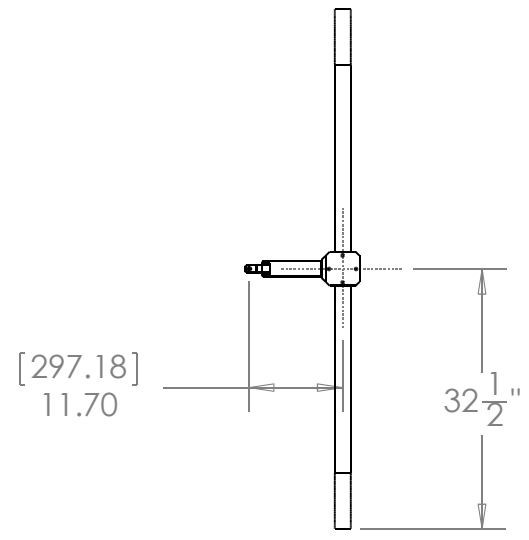
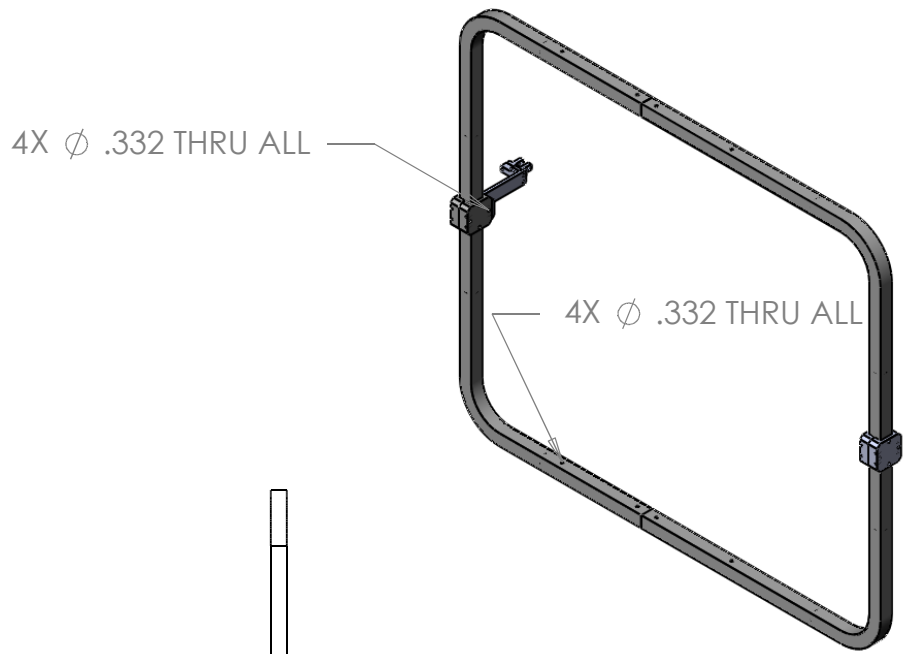
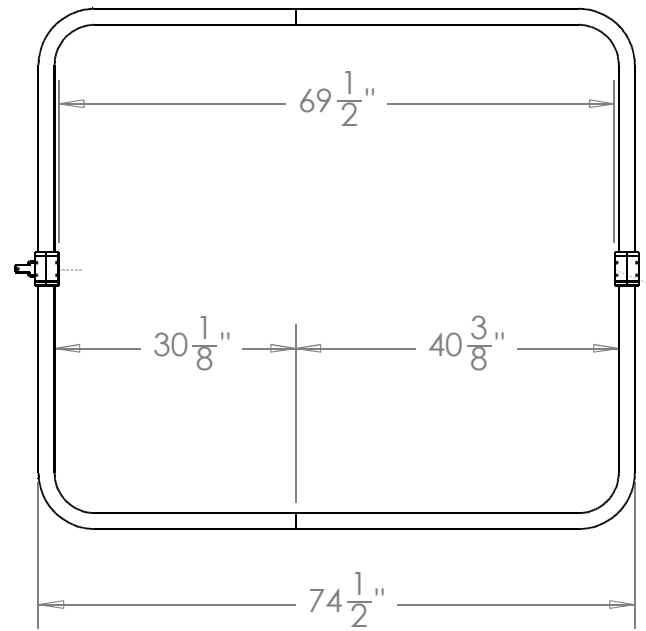
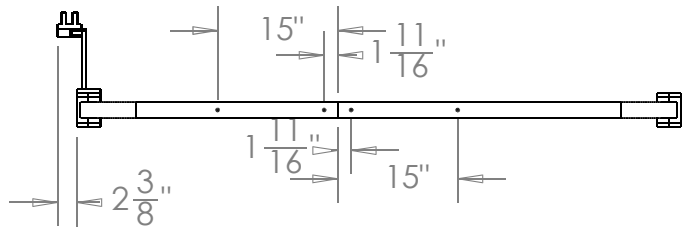


REVISIONS			
REV.	DESCRIPTION	Made By	DATE
A	Updated length and height dimensions and added top frame	SPM	2010.01.15



Title Roll Frame ASSY

DWG # 9500100

Material Mainly 6061-T6 Aluminum
Size Varies
Scale 1:24

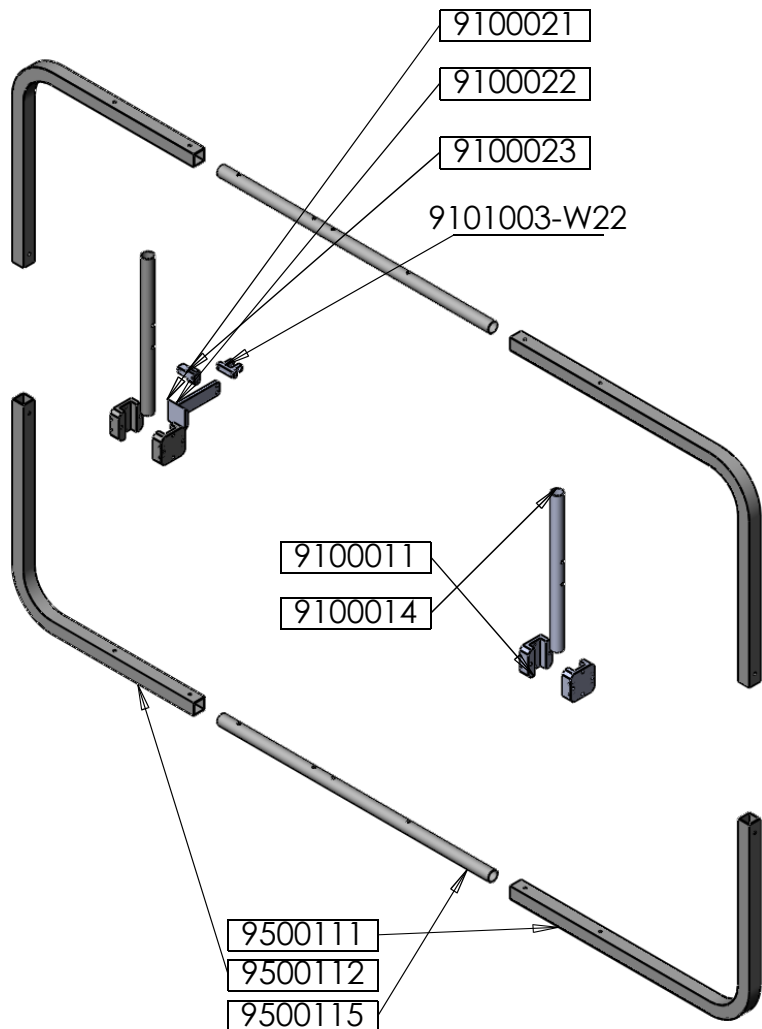
DRAWN NAME: MRB, DATE: 2008.11.17

simcraftTM

UNLESS OTHERWISE SPECIFIED
 DIMENSIONS ARE IN INCHES
 Tolerances on:
 2 Decimals 3Decimals Angles
 0.010 0.005 0.5deg
 Surface finish 63/ or better
 remove burrs and break sharp edges

**1705 Enterprise Way
 Suite 102
 Marietta, GA 30067**

877.SimCraft (746.2723)
 SimCraft.com



Item	PartNo	DESCRIPTION	QTY.	Material	StockSize
1	9100010	Knuckle Bracket Plug ASSY	2	Mainly 6061-T6 Aluminum	fits 2"Square 0.125"Wall
1.1	9300010	Knuckle Bracket Assy	1	6061-T6 Aluminum Block	4.25" X 1.5" Block
1.1.1	9100011	Knuckle Bracket	2	6061-T6 Aluminum Block	4.25" X 1.5" Block
1.2	9100014	Plug Tube - LONG	1	2024-T3 Aluminum Tube	1.732"OD 0.058"Wall
2	9100020	Roll Actuator Knuckle Assy	1	Mainly 6061-T6 Aluminium	Varies
2.1	9100021	Bracket Bar Mount	1	6061-T6 Aluminum Plate	3.25" X 3" X 0.5"Thick
2.2	9100022	Roll Actuator Bar	1	6061-T6 Aluminum Plate	7.5" X 2" X 0.5"Thick
2.3	9100023	Pivot Base Mount	1	6061-T6 Aluminum Block	3" X 2" x 1" Block
2.4	9101003-W22	SC Precision Mount Base	1		
3	9500110	Roll Frame Tube Assy	2	Mainly 6061-T6 Aluminum	Varies
3.1	9500112	Roll Frame Tube, SHORT	1	6061-T6 Aluminum Tube	2"Square 0.125"Wall
3.2	9500111	Roll Frame Tube, LONG	1	6061-T6 Aluminum Tube	2"Square 0.125"Wall
3.3	9500115	Roll Frame Insert	1	2024-T3 Aluminum Tube	1.732"OD 0.058"Wall

Title Roll Frame ASSY

DWG # 9500100

Material Mainly 6061-T6 Aluminum
Size Varies
Scale 1:24

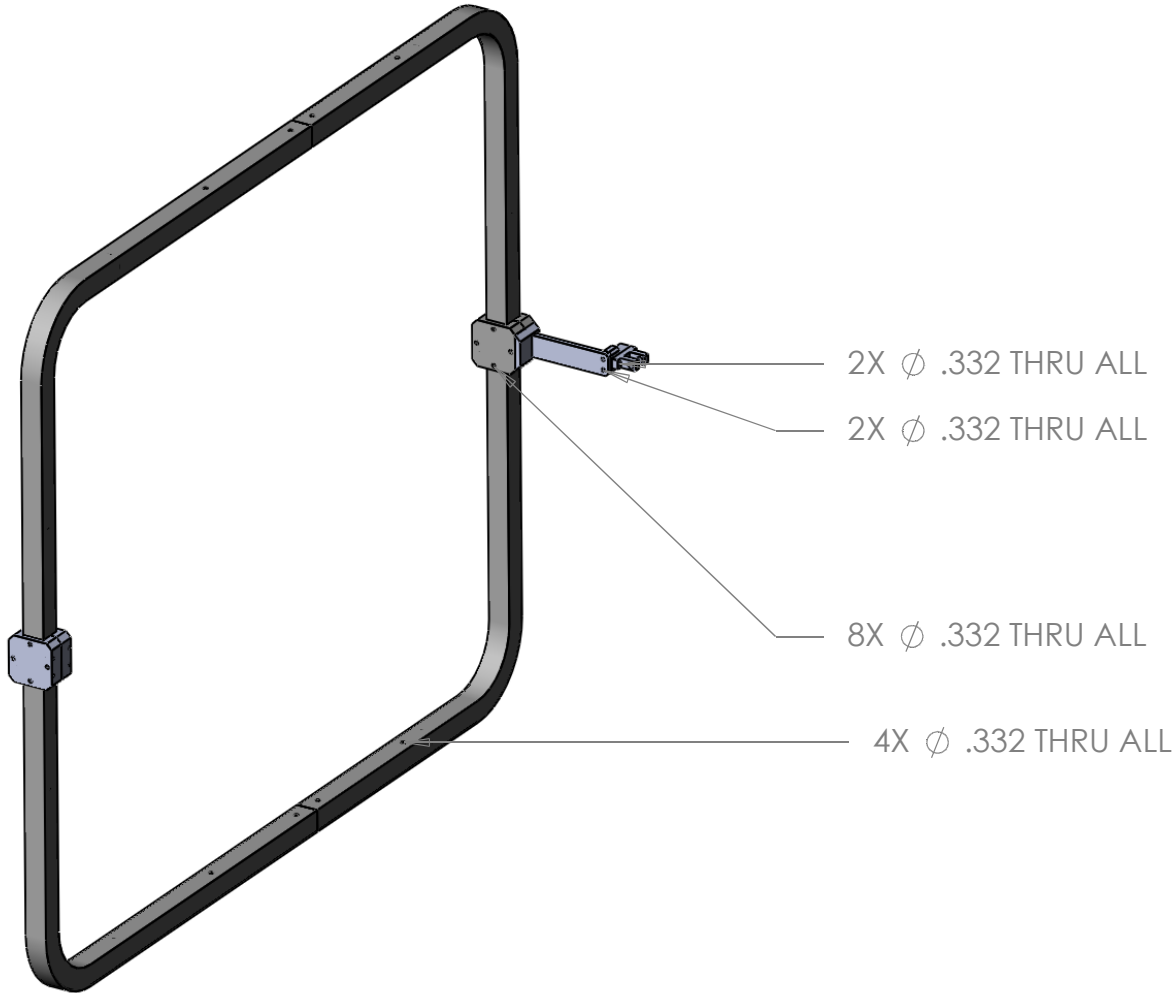
DRAWN NAME MRB DATE 2008.11.17

simcraftTM

UNLESS OTHERWISE SPECIFIED
 DIMENSIONS ARE IN INCHES
 Tolerances on:
 2 Decimals 3Decimals Angles
 0.010 0.005 0.5deg
 Surface finish 63/ or better
 remove burrs and break sharp edges

**1705 Enterprise Way
 Suite 102
 Marietta, GA 30067**

877.SimCraft (746.2723)
SimCraft.com



Title **Roll Frame ASSY**

DWG # **9500100**

Material **Mainly 6061-T6 Aluminum**

Size **Varies**

Scale 1:16

DRAWN NAME DATE
MRB 2008.11.17

simcraftTM

**1705 Enterprise Way
Suite 102
Marietta, GA 30067**

877.SimCraft (746.2723)
SimCraft.com

UNLESS OTHERWISE SPECIFIED
DIMENSIONS ARE IN INCHES
Tolerances on:
2 Decimals 3Decimals Angles
0.010 0.005 0.5deg
Surface finish 63/ or better
remove burrs and break sharp edges