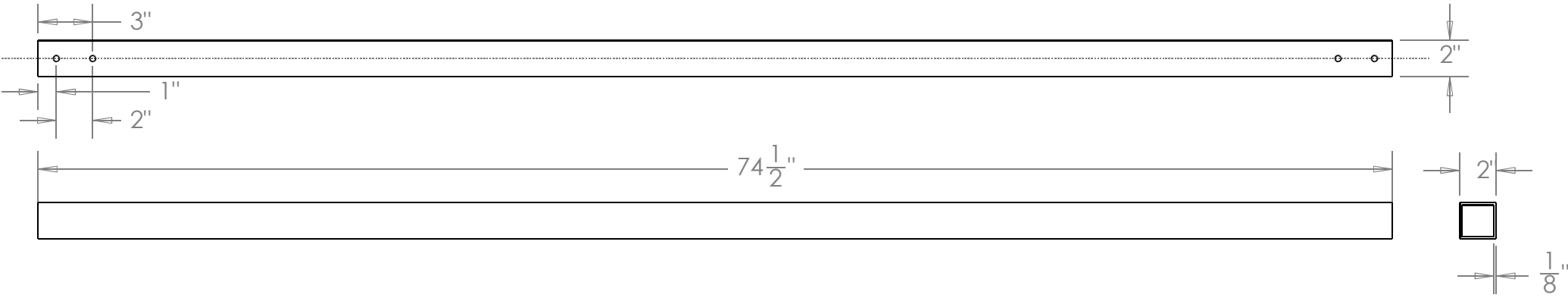


4X ϕ .332 THRU ALL



Title Base Side Bar

DWG # 9300921

Material 6061-T6 Aluminum Tube
Size 2"Square 0.125"Wall
 Scale 1:8

DRAWN NAME MRB DATE 2008.11.21

simcraftTM

UNLESS OTHERWISE SPECIFIED
 DIMENSIONS ARE IN INCHES
 Tolerances on:
 2 Decimals 0.010 3Decimals 0.005 Angles 5deg
 Surface finish 63/ or better
 remove burrs and break sharp edges

**1705 Enterprise Way
 Suite 102
 Marietta, GA 30067**

877.SimCraft (746.2723)
 www.SimCraft.com