

910010 Assy rests flush upon 9300914

910010 Assy

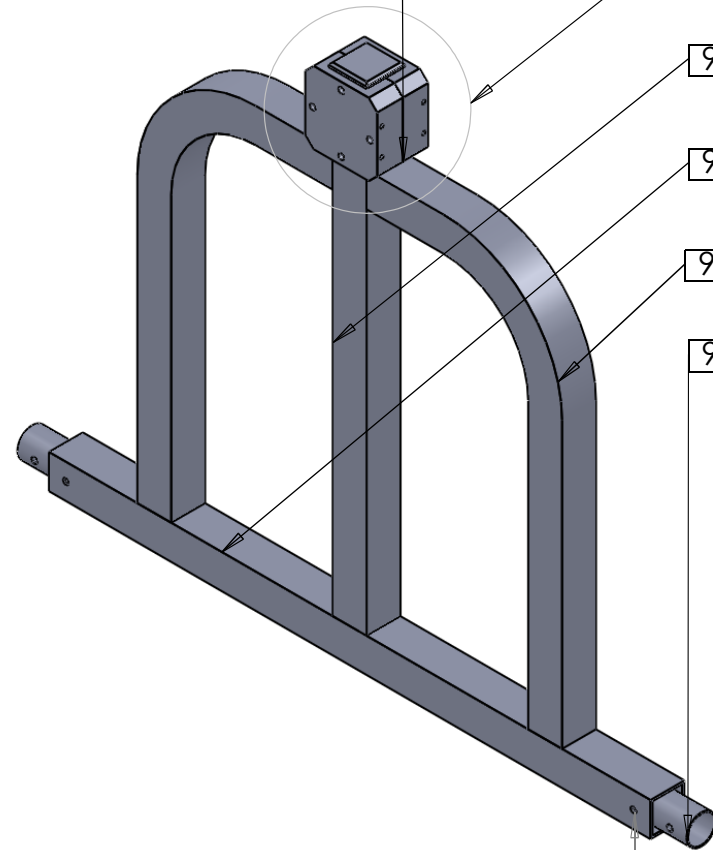
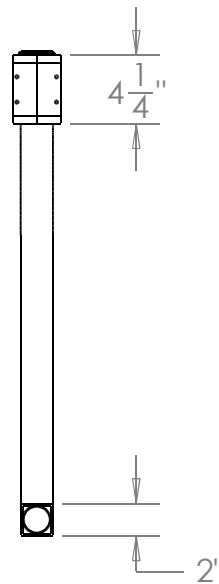
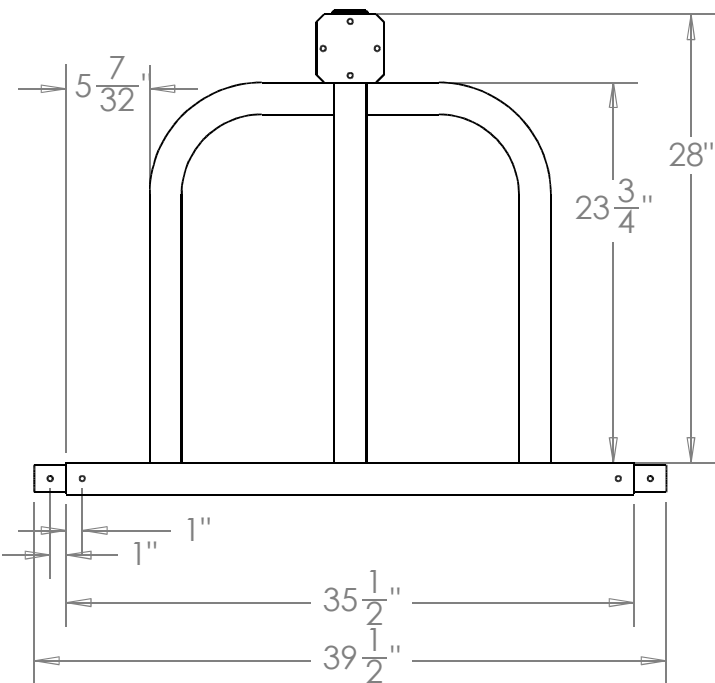
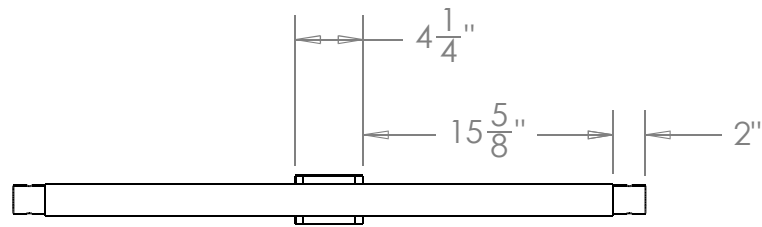
9300911

9300912

9300914

9300915

4X  $\phi$  .332 THRU ALL



**Title** Base End Assy

**DWG #** 9300910

**Material** Mainly 6061-T6 Aluminum

**Size** Varies

**Scale** 1:12

**DRAWN** NAME MRB DATE

**simcraft**<sup>TM</sup>



UNLESS OTHERWISE SPECIFIED  
DIMENSIONS ARE IN INCHES  
Tolerances on:  
2 Decimals 0.010 3Decimals 0.005 Angles 5deg  
Surface finish 63/ or better  
remove burrs and break sharp edges

**1705 Enterprise Way  
Suite 102  
Marietta, GA 30067**

877.SimCraft (746.2723)  
[www.SimCraft.com](http://www.SimCraft.com)

**Confidential and Proprietary** NOT TO BE REPRODUCED OR USED IN ANY MANNER OTHER THAN WITH EXPRESSED WRITTEN PERMISSION