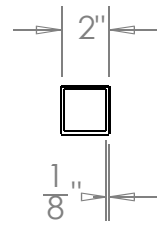
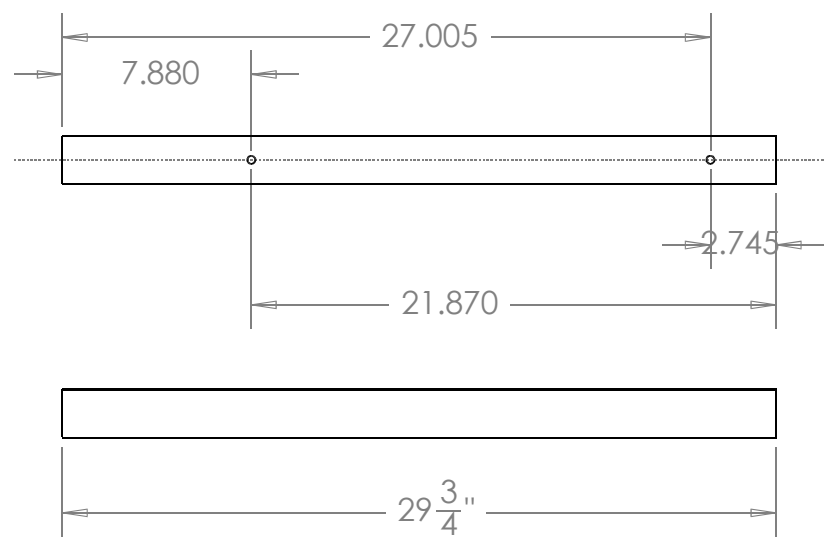
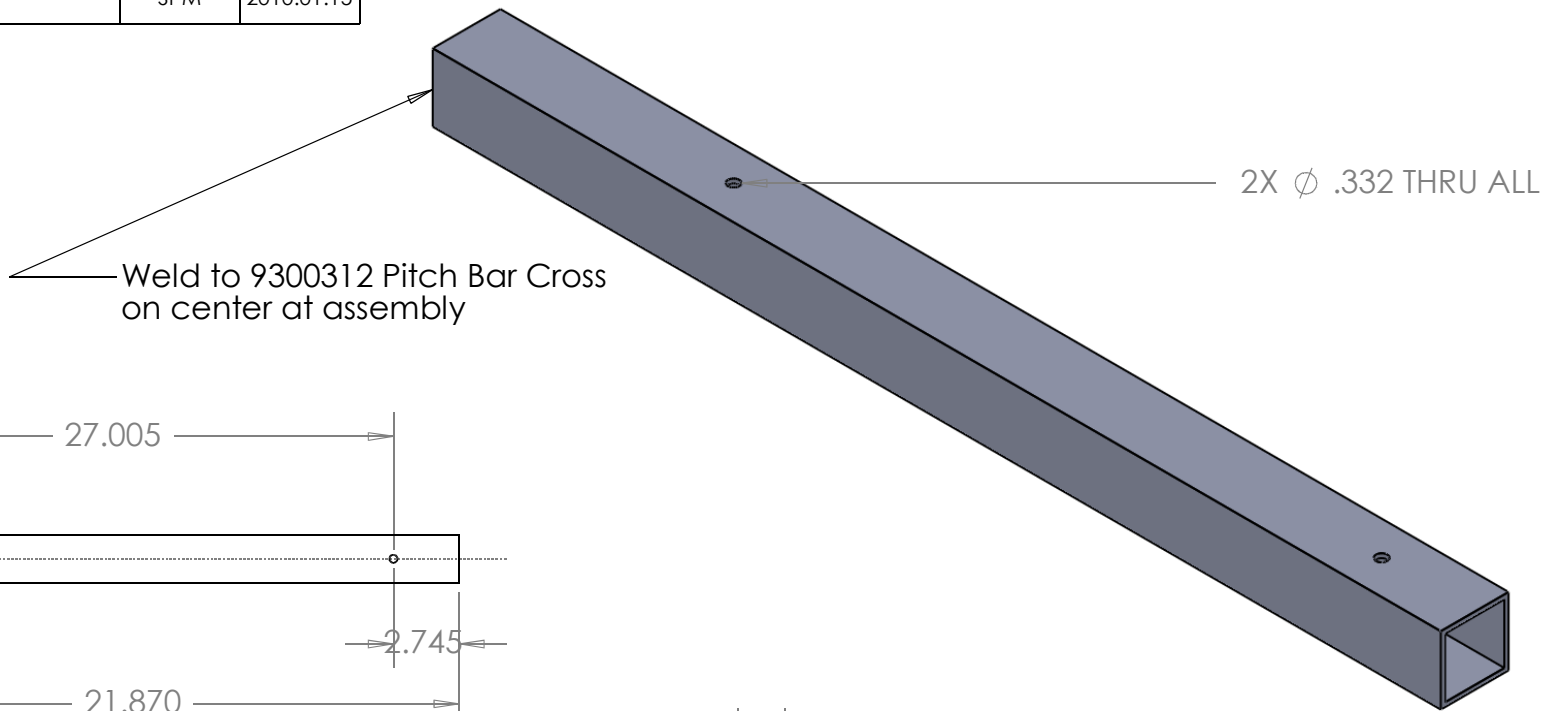


REVISIONS

REV.	DESCRIPTION	Made By	DATE
A	Shortened cockpit by 8"	SPM	2010.01.15



Title Pitch Bar Support Front

DWG # 9300313

Material 6061-T6 Aluminum Tube
Size 2"Square 0.125"Wall
Scale 1:8

DRAWN NAME DATE
 2008.12.01

simcraftTM

UNLESS OTHERWISE SPECIFIED
 DIMENSIONS ARE IN INCHES
 Tolerances on:
 2 Decimals 3Decimals Angles
 0.010 0.005 0.5deg
 Surface finish 63/ or better
 remove burrs and break sharp edges

**1705 Enterprise Way
 Suite 102
 Marietta, GA 30067**

877.SimCraft (746.2723)
SimCraft.com