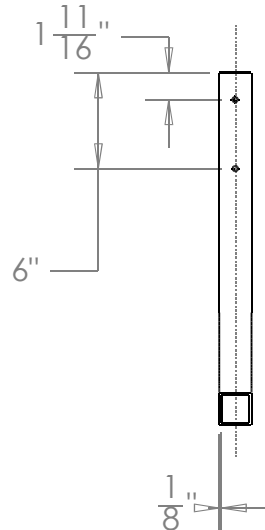
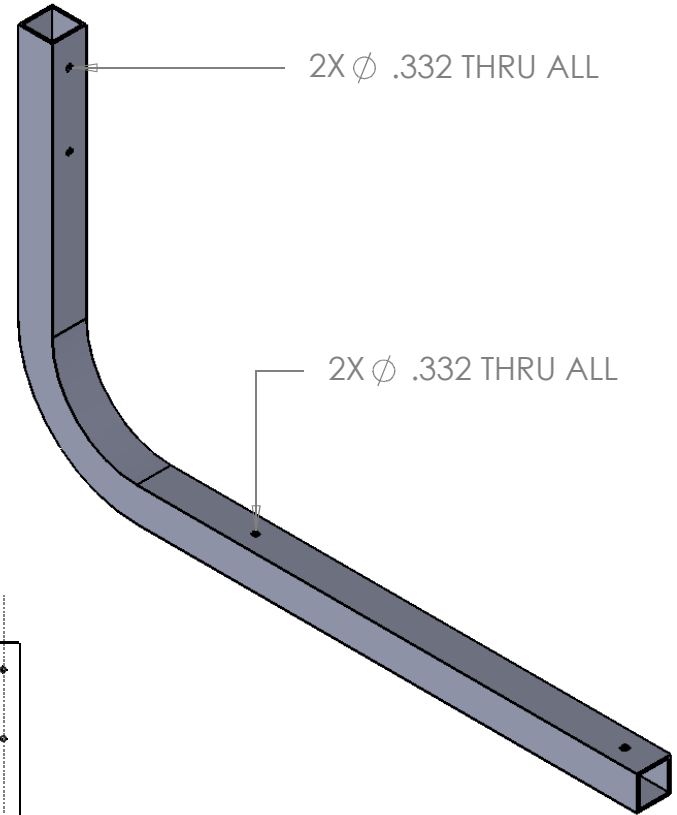
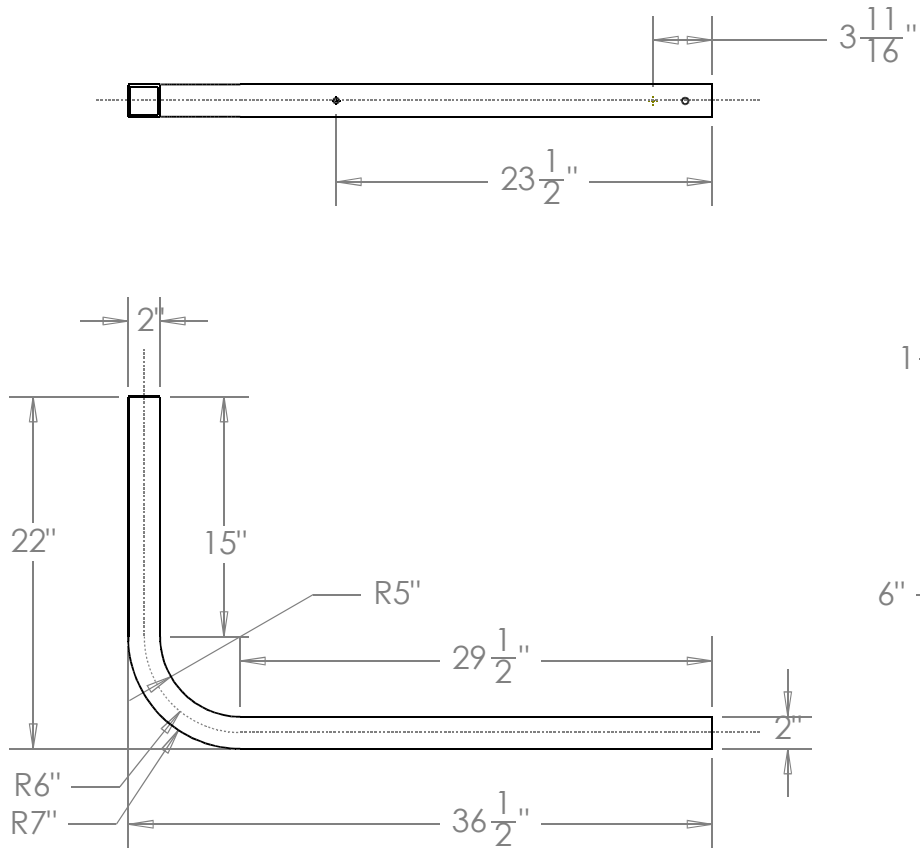


Unbent length of at least 51.5"  
and cut to size after bend



**Title** Roll Bar Back

**DWG #** 9300112

**Material** 6061-T6 Aluminum Tube  
**Size** 2" Square 0.125" Wall  
**Scale** 1:12

**DRAWN** NAME MRB DATE 2008.11.21

**simcraft**<sup>TM</sup>

UNLESS OTHERWISE SPECIFIED  
DIMENSIONS ARE IN INCHES  
Tolerances on:  
2 Decimals 0.010 3Decimals 0.005 Angles 5deg  
Surface finish 63/ or better  
remove burrs and break sharp edges

**1705 Enterprise Way  
Suite 102  
Marietta, GA 30067**

877.SimCraft (746.2723)  
**SimCraft.com**

**Confidential and Proprietary** NOT TO BE REPRODUCED OR USED IN ANY MANNER OTHER THAN WITH EXPRESSED WRITTEN PERMISSION